



Television

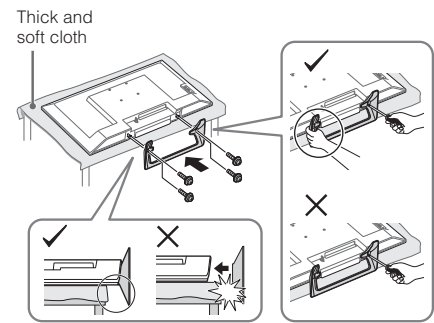
Operating Instructions

Checking the accessories

- Table-Top Stand (1)*
 - Fixing screws for Table-Top Stand (M4 x 20) (4)
 - Remote control (1)
 - AC power cord (mains lead) (1)
 - AC adapter (1)
 - Size AAA batteries (2)
 - Operating Instructions (this manual) and other documents
- * Refer to the supplied Setup Guide to assemble the Table-Top Stand.

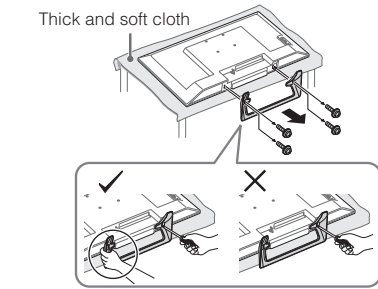
1: Attaching the Table-Top Stand

- If using an electric screwdriver, set the tightening torque at approximately 1.2 N·m (12 kgf·cm).



Detaching the Table-Top Stand from the TV

- Do not remove the Table-Top Stand for any reason other than to wall-mount the TV.



2: Mounting the TV on the wall

This TV's instruction manual only provides the steps to prepare the TV for Wall-Mount installation before it is installed on the wall.

To Customers: For product protection and safety reasons, Sony strongly recommends that installation of your TV be performed by Sony dealers or licensed contractors. Do not attempt to install it yourself.

To Sony Dealers and Contractors: Provide full attention to safety during the installation, periodic maintenance and examination of this product.

Sufficient expertise is required for installing this product, especially to determine the strength of the wall for withstanding the TV's weight. Be sure to entrust the attachment of this product to the wall to Sony dealers or licensed contractors and pay adequate attention to safety during the installation. Sony is not liable for any damage or injury caused by mishandling or improper installation.

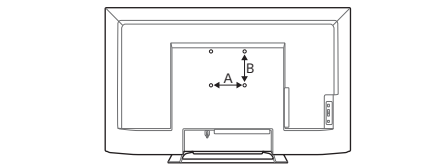
Use the Wall-Mount Bracket SU-WL450 (not supplied) to install the TV to the wall. When installing the Wall-Mount Bracket, also refer to the Operating Instructions and Installation Guide supplied with the Wall-Mount Bracket.

- Be sure to store the removed screws in a safe place, keeping them away from children.
- Place the TV with its screen facing down on a level and stable surface covered with a thick and soft cloth when securing the Mounting Hook or when removing the Table-Top Stand from the TV to prevent damaging the surface of the LCD display.

Precautions

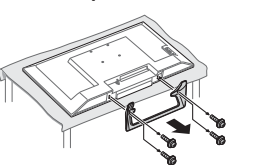
- Detach the Table-Top Stand from the TV. For details, refer to (Detaching the Table-Top Stand from the TV).

Wall mount location

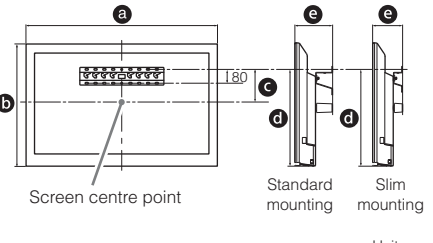


Model Name KLV-	A (mm)	B (mm)
40R252F	300	200
32R202F	100	100

To detach the Table-Top Stand from the TV



- Make sure that the wall has enough space for the TV and is capable of supporting a weight of at least four times that of the TV. Refer to the following table on installing the TV to the wall. See Operating Instructions Specifications for TV's weight.



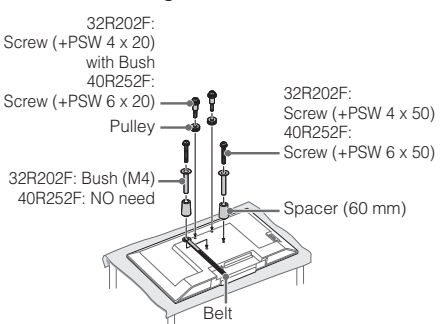
Model Name KLV-	Display dimensions		Screen centre dimension		Length for mounting	
	a	b	c	d	Standard mounting	Slim mounting
40R252F	916	542	56	334	134	93
32R202F	730	437	117	344	134	93

- Figures in the table may differ slightly depending on the installation.
- When your TV is installed on the wall, the upper side of the TV slightly leans forward.

- Attach the Attachment parts for Wall-Mount Bracket. Check the Attachment parts by referring to *1 of the Wall-Mount Bracket Installation Guide.

- If using an electric screwdriver, set the torque at approximately 1.5 N·m (15 kgf·cm).
- Be sure to store the unused parts in a safe place for future use. Retain this manual for future reference.

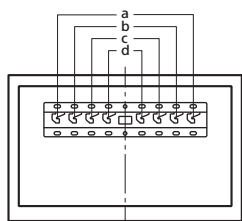
Standard mounting



3 Connect necessary cables to the TV.

- You cannot access to any terminal after installing the TV to the wall.

- Install the TV to the Base. Refer to "5" of Installation Guide and "Installing the TV to the Wall" of Operating Instructions supplied with the Wall-Mount Bracket.

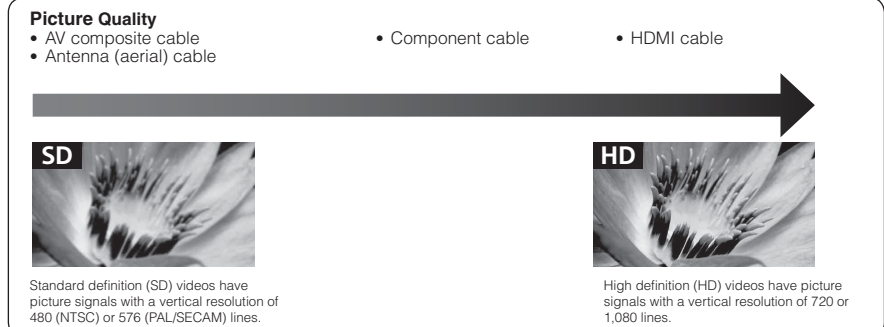


Model Name KLV-	Hook location
40R252F	b
32R202F	d



Refer to the instructions supplied with the Wall-Mount Bracket for your model to install the TV on the wall.

3: Connections



If Cable, Connectivity, and other External Devices are defective or not done correctly, it may cause TV showing symptoms below:
 TV Auto OFF/ON @ TV No Audio @ TV No Picture

Cables Condition

- Make sure the cables at A, B, and C are in good condition and not defective

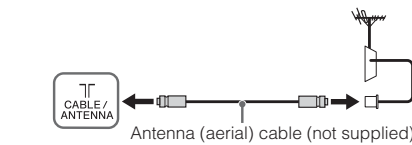
Cables Connectivity

- Make sure the cables and connectors at A, B, and C are inserted and connected correctly

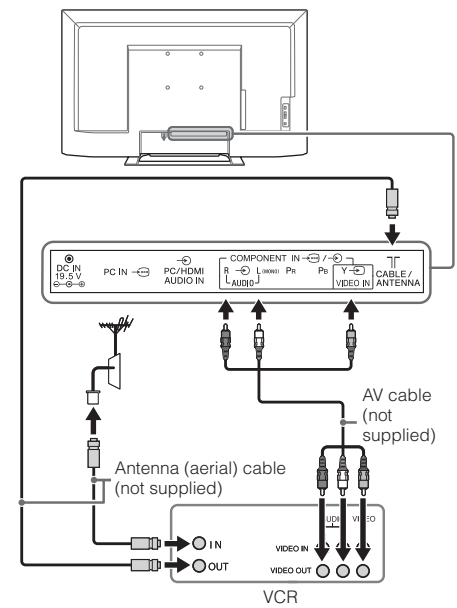
Set Top Box (STB)

- Make sure the STB is working fine and no issue from the Service Provider

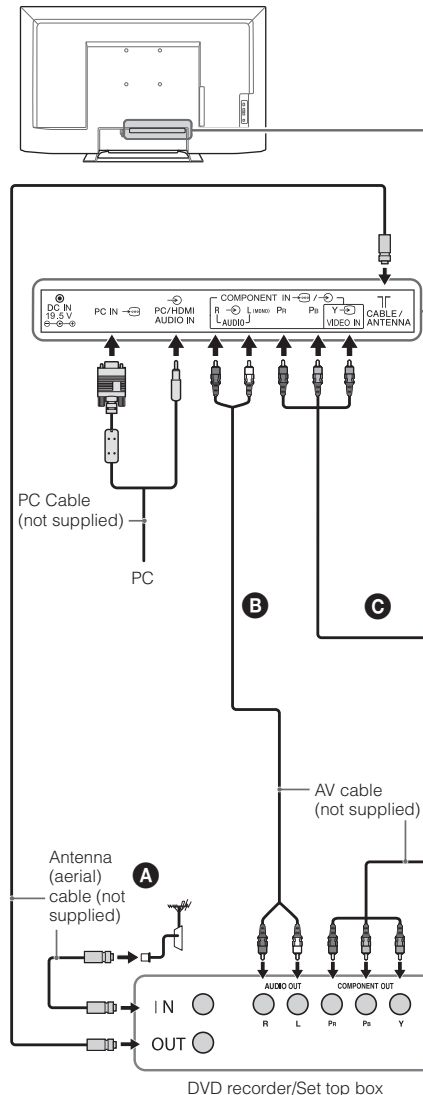
Connecting an antenna (aerial)/ cable



Connecting an antenna (aerial)/ cable and VCR



Connecting audio/video devices/ Set top box



BRAVIA



<http://www.sony.net/>

© 2018 Sony Visual Products Inc. Printed in India

4: Preventing the TV from toppling over

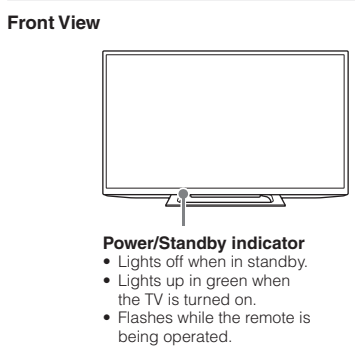


Follow the instructions on the screen.

- You can also tune channels manually.
 - Language options vary depending on model.
 - Select "Home" from "Location" for the best TV settings to use the TV in the home.
- 3 To select TV position:
- HOME
 - "Settings"
 - "Set-up"
 - "AV Set-up"
 - "TV Position"

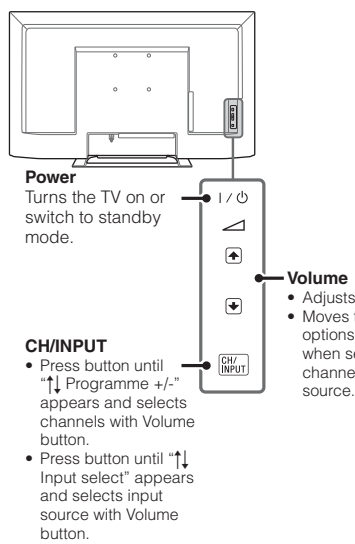
- To exit "Set-up" menu: HOME

Overview of the TV controls and indicators

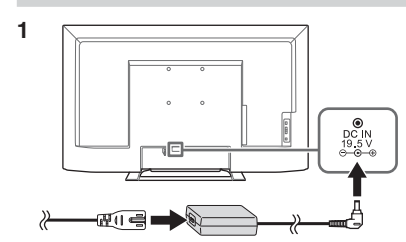


- Do not put anything over the sensor, doing so may affect its function.

Back View

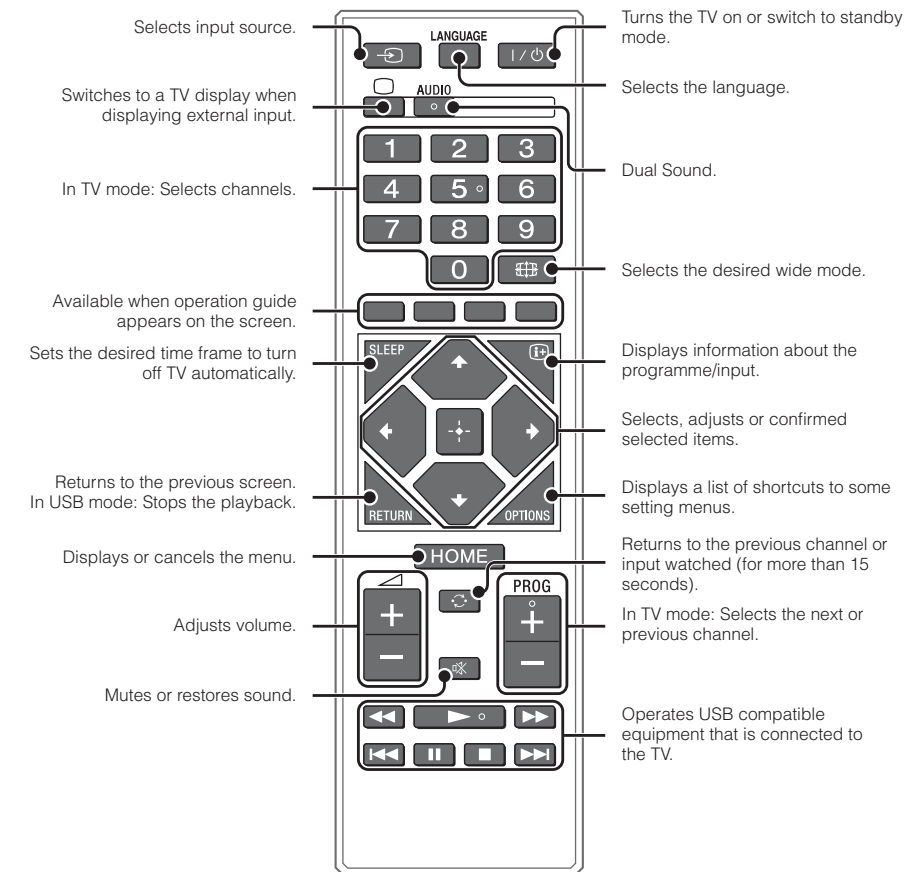


5: Performing the initial setup



- When the TV is in standby mode (the L/O (standby) indicator on the TV front panel is off), press L/O on the remote to turn on the TV.
- Make sure that the TV is completely turned off before unplugging the AC power cord (mains lead) or DC cable. Unplugging the AC power cord (mains lead) or DC cable while the TV is turned on may cause the TV to malfunction.

Overview of the remote control



■ To change the Wide Mode

For TV, Video, Component or HDMI (except PC input)

Wide Zoom*	Normal	Full	Zoom*
------------	--------	------	-------

For PC or HDMI PC Input (PC timing)

Normal	Full 1	Full 2
--------	--------	--------

- Parts of the top and bottom of the picture may be cut off.
- Some options may not be available depending on the signal source.

Introduction
 Thank you for choosing this Sony product. Before operating the TV, please read this manual thoroughly and retain it for future reference.

Location of the Setup Guide
 Setup Guide is placed on top of the cushion inside the TV carton.

Disposal of the TV set
 Disposal of Old Electrical & Electronic Equipment (Applicable in the European Union and other countries with separate collection systems)

Disposal of the TV set
 Disposal of Old Electrical & Electronic Equipment (Applicable in Republic of India)

Reduction in the Use of Hazardous Substances in Electrical & Electronic Equipment (Applicable in Republic of India)
 This product and its components, consumables, parts or spares comply with the hazardous substances restriction of India E-Waste (Management) Rules. The maximum allowable concentrations of the restricted substances are 0.1% by weight in homogeneous materials for Lead, Mercury, Hexavalent Chromium, Polybrominated Biphenyls (PBB) and Polybrominated Diphenyl Ethers (PBDE), and 0.01% by weight in homogeneous materials for Cadmium, except for the exemptions specified in Schedule II of the aforesaid Rules.

Trademark information
 The terms HDMI and HDMI High-Definition Multimedia Interface, and the HDMI Logo are trademarks or registered trademarks of HDMI Licensing Administrator, Inc. in the United States and other countries.



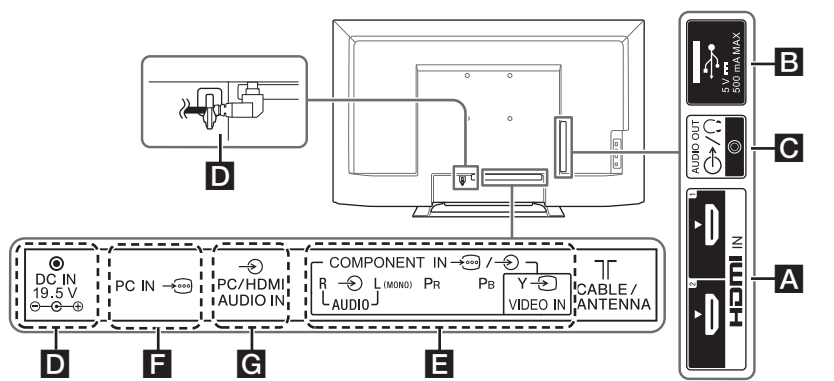
ATTENTION:
 This product is qualified for the BEE Star rating in the "Home Mode". The Objectives of Star Labeling Program is designed to promote energy efficient products and practices. When the television is initially set up, it is designed to meet the BEE Star Labeling requirements while maintaining optimum picture quality.

*** Attention statement is subject matter of BEE, and applicable if functions is available**
 ** "Home mode" conditions are as per BEE guideline only

Viewing pictures from the connected equipment

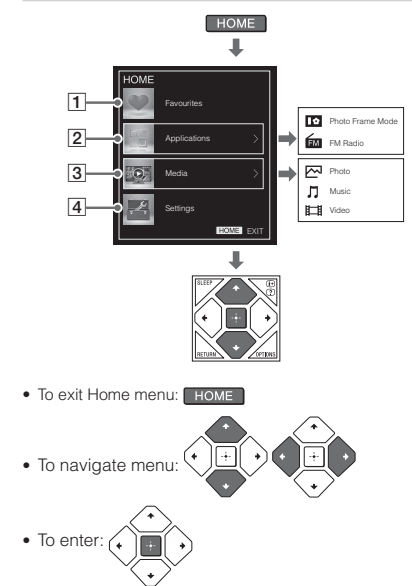
Turn on the connected equipment, then press CH/INPUT on the remote control or CH/INPUT on the TV to display the connected equipment list.

Rear View



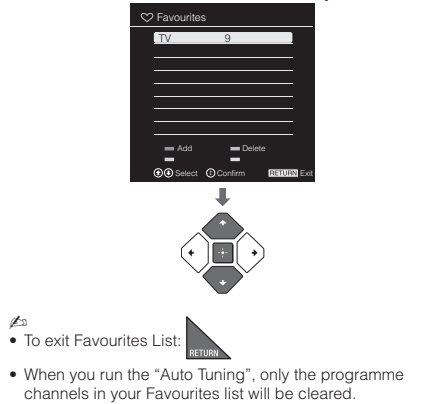
- A HDMI IN 1 and HDMI IN 2 (Home Theatre systems, Camcorder, Blu-ray Disc player, DVD player, PC with HDMI output).** Connect to the HDMI IN jack if the equipment has an HDMI jack.
- B - (Digital still camera, Camcorder, USB storage media)** Access photo/music/video files stored on a USB device.
- C AUDIO OUT (Stereo systems, Headphone)** Connect with an audio cable or headphones. You can listen to TV sound through your stereo system or headphones. You can select "Variable" or "Fixed" in the "Audio Out" menu.
- D DC IN 19.5 V** AC IN 110 V ~ 240 V AC, 50/60 Hz Connect AC adapter to the DC IN 19.5 V jack.
- E VIDEO IN (COMPONENT IN/AUDIO (DVD player, VCR, Video game equipment, S VHS/Hi8/DVC camcorder, DVD player with component output)** Connect to the VIDEO IN jack and the AUDIO jacks. If you connect mono equipment, connect to the L (MONO) jack. For better picture quality, component connection is recommended if your DVD player has a component video output. Connect to the COMPONENT IN jacks.
- F PC IN**
- G PC / HDMI AUDIO IN** Connect to the PC / HDMI AUDIO IN. It is recommended to use an audio input (stereo minijack).

Using Menu Functions



- To exit Home menu: HOME
- To navigate menu: (Left, Right, Up, Down arrows)
- To enter: (Enter arrow)
- To exit Favourites list: (Home arrow)
- To exit Photo Frame mode: HOME
- To add a current channel or external inputs into Favourites list: (Home arrow) → "Favourites" OR (Home arrow) → "Add to Favourites"
- To select Photo/Music: In Photo Frame Mode → Image Selection / "Music Selection"
- To select Display Mode: In Photo Frame Mode → "Display Mode"
- You are also able to select Photo/Music/Display Mode from HOME → "Settings" → "Set-up" → "Photo Frame Settings".

■ To watch a channel or external input



■ Applications

■ Photo Frame Mode

Display Photo, Music and Clock calendar at the same time.

■ To enter Photo Frame Mode

