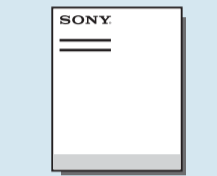
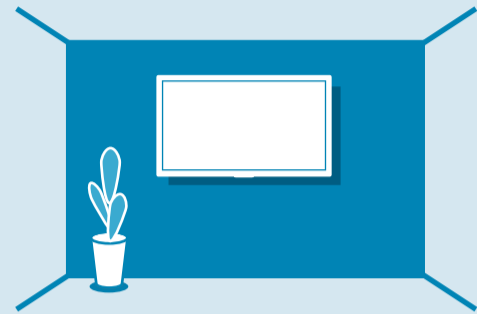
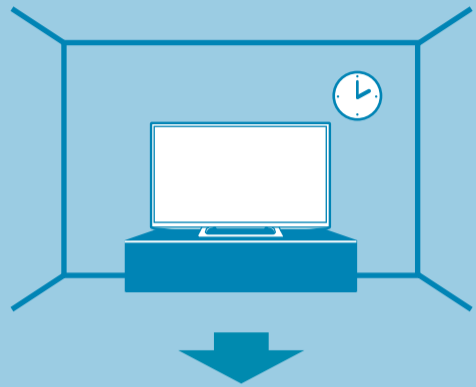
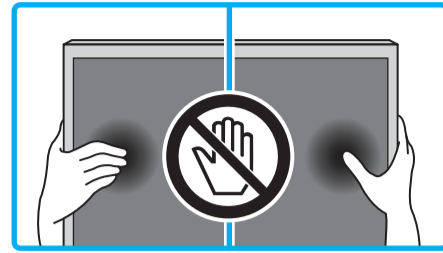




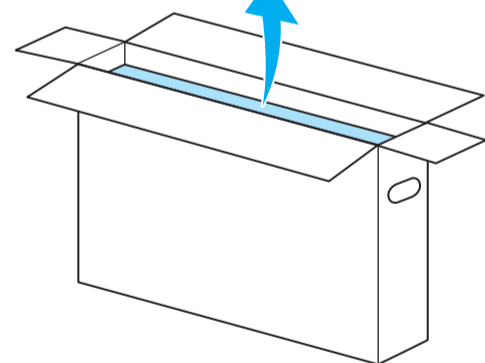
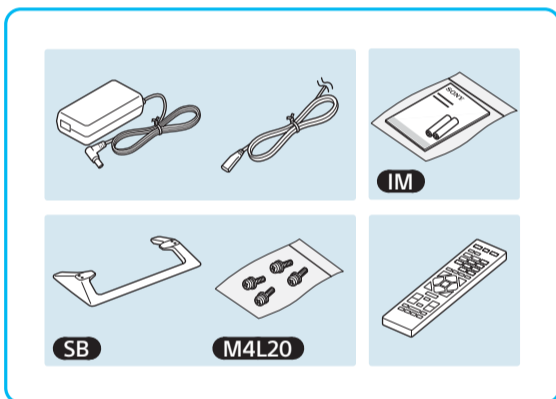
# Setup Guide



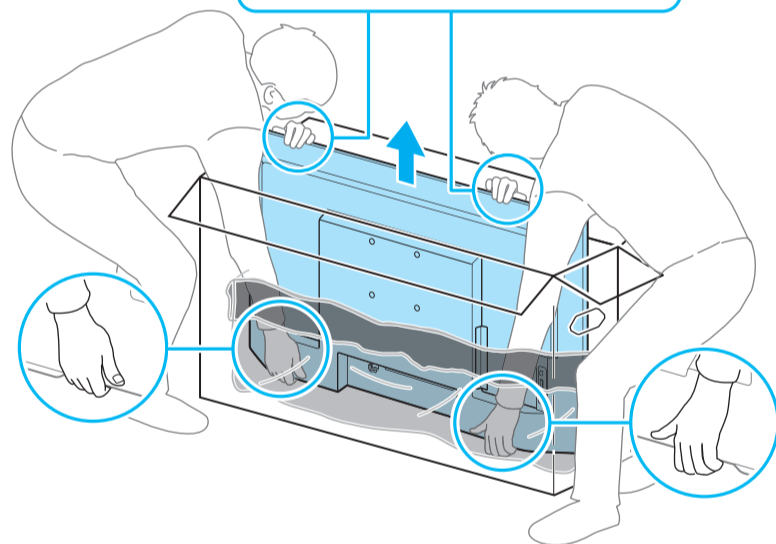
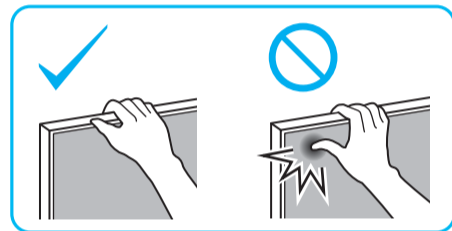
Operating Instructions

# 1

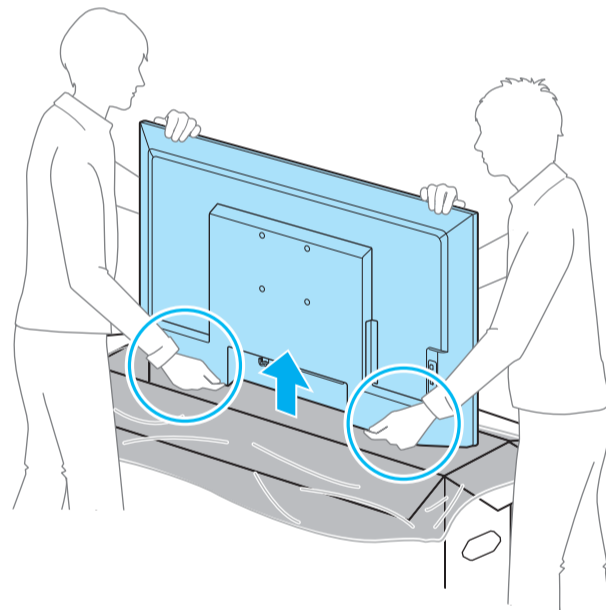
## 1



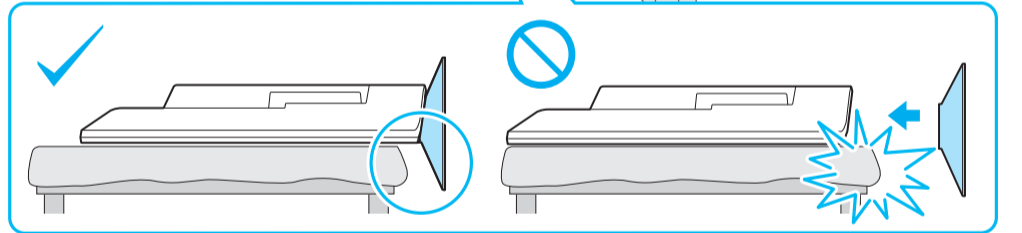
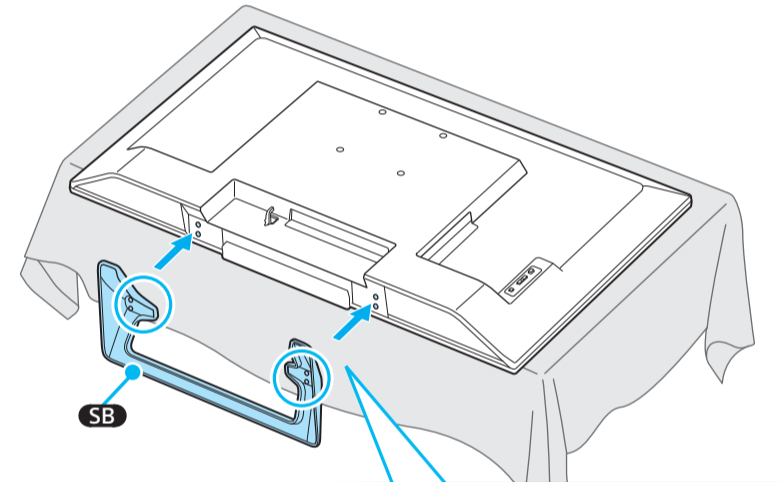
## 2



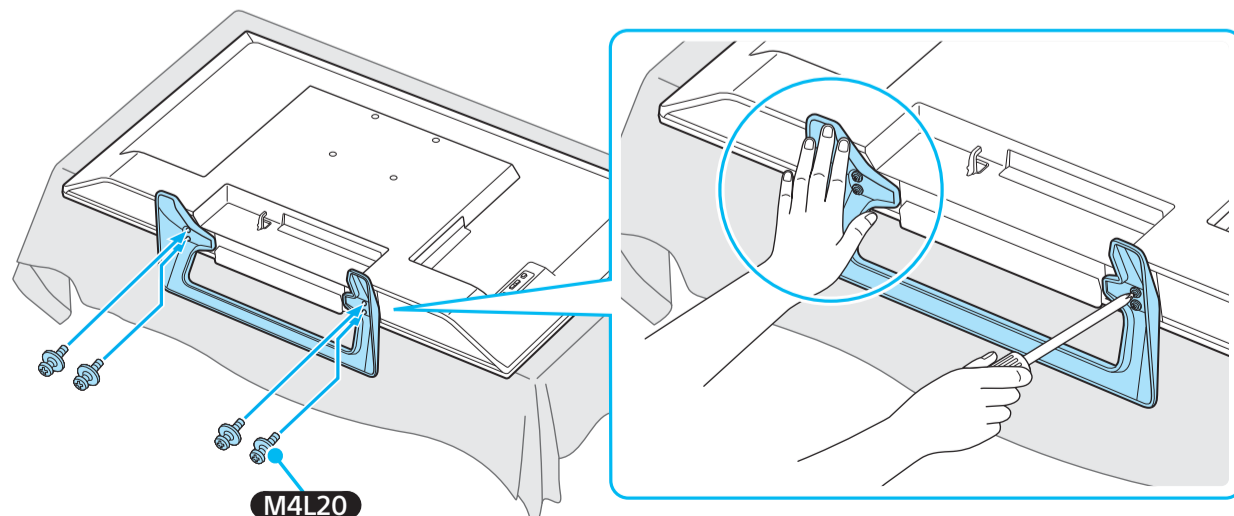
## 3



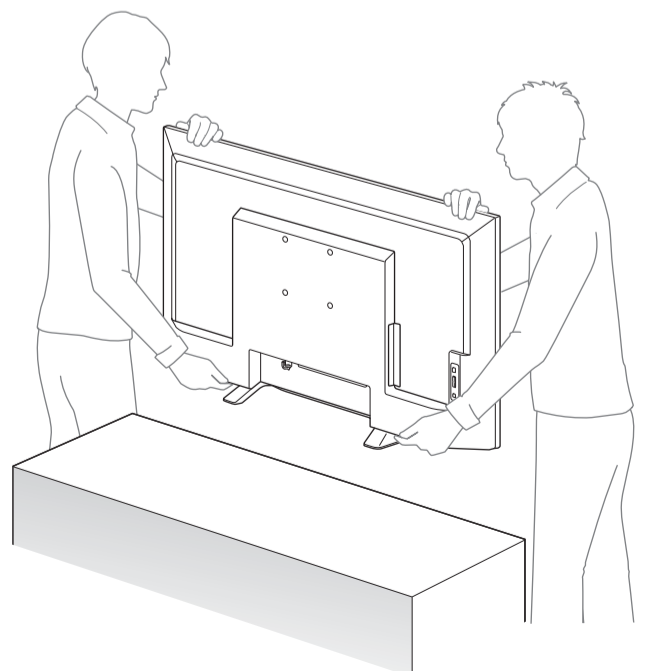
## 4



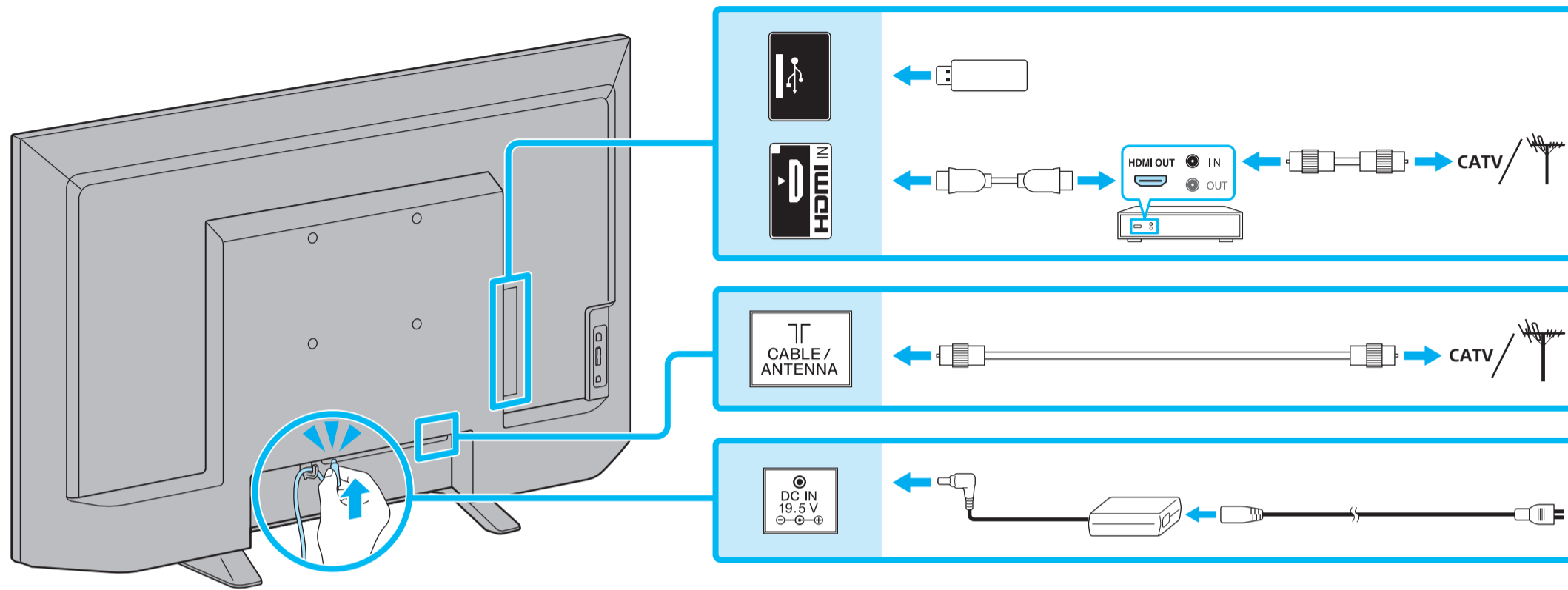
## 5



## 6



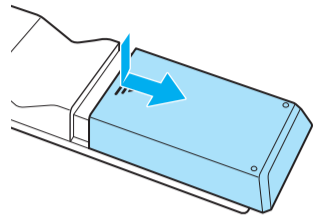
2



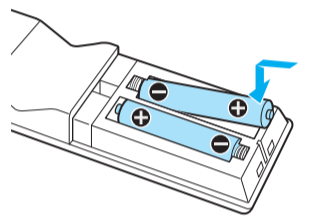
**Connections** Refer to "3: Connections" and "Viewing pictures from the connected equipment" in the Operating Instructions for additional connection information.

3

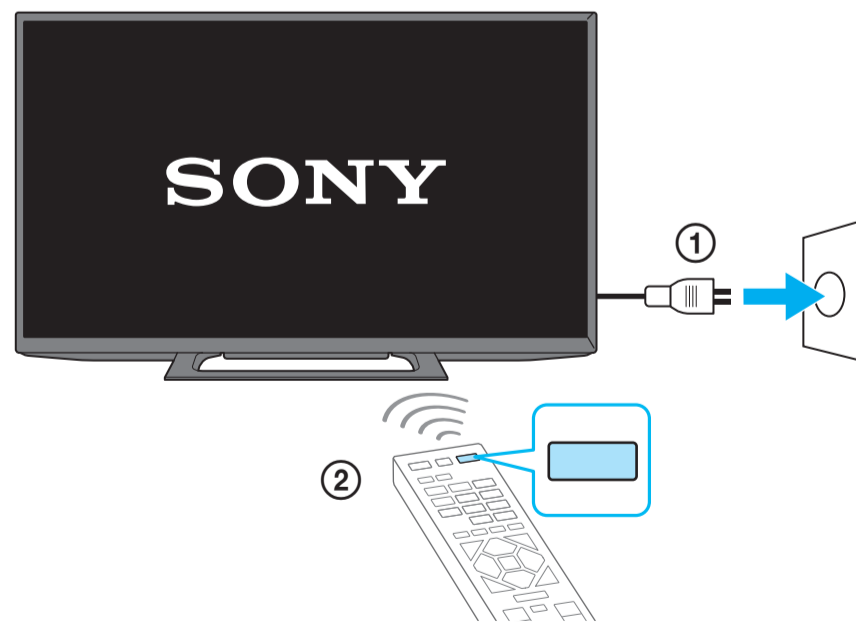
1



2



4



i



<http://www.sony.net/tv-how-to-videos>

Tips