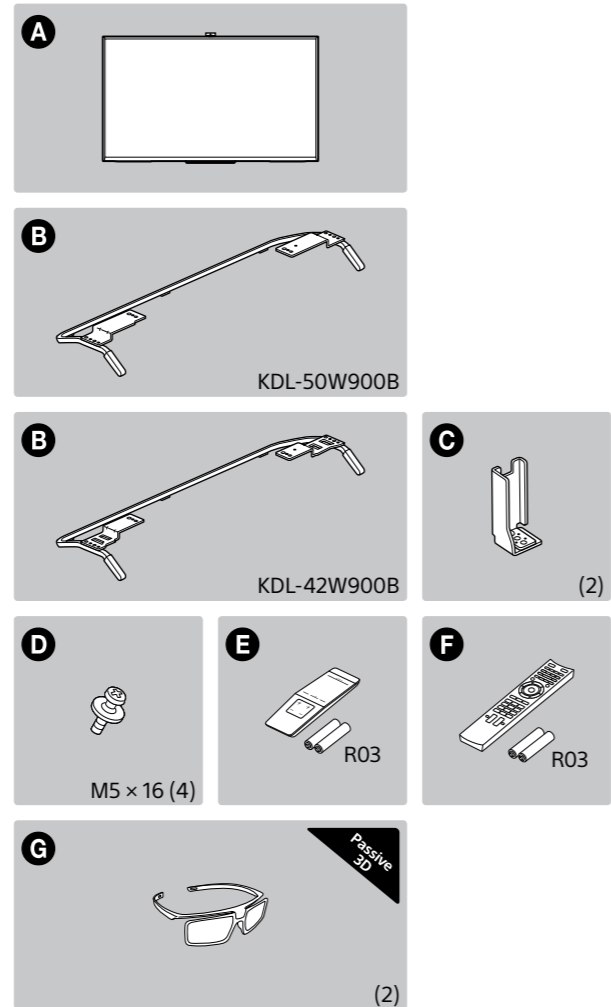
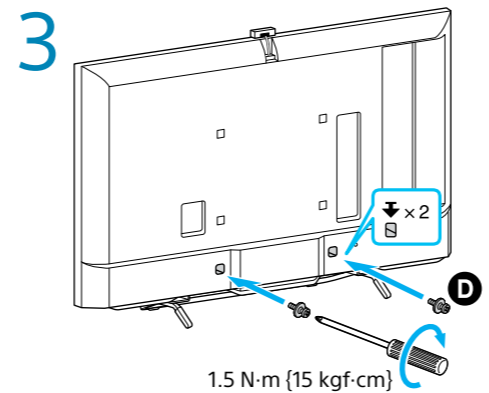
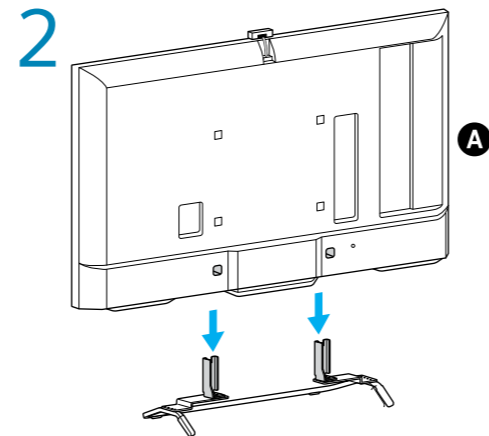
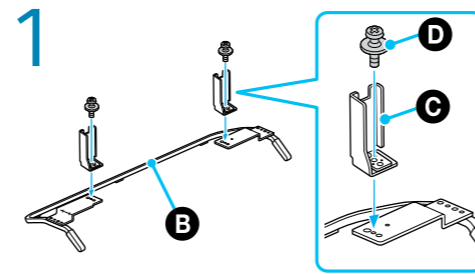


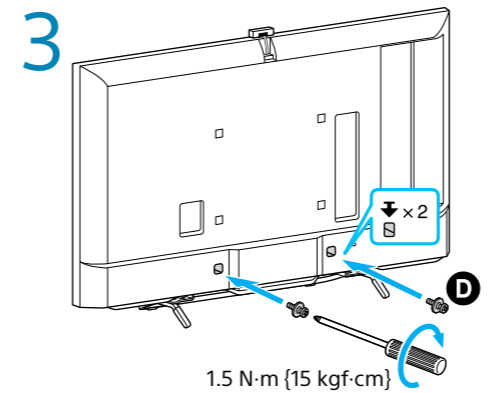
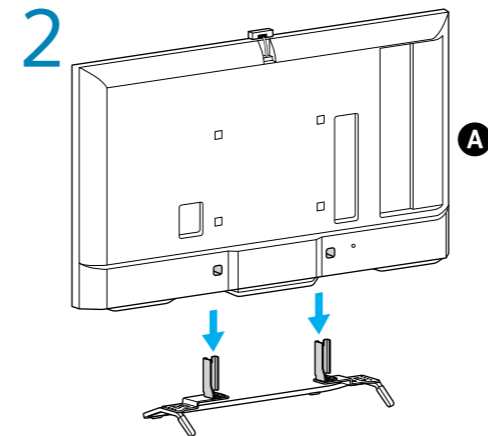
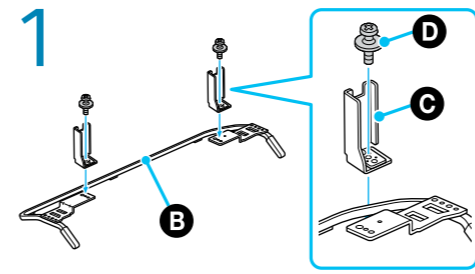
Quick Start Guide



KDL-50W900B

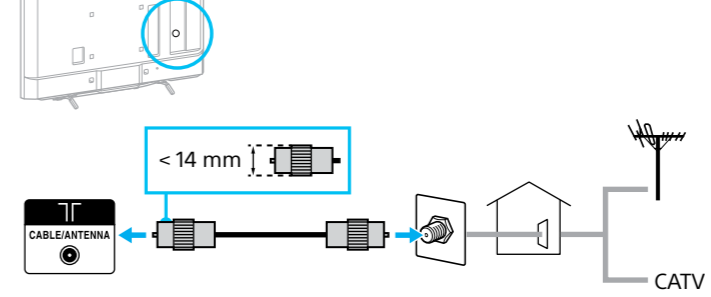


KDL-42W900B



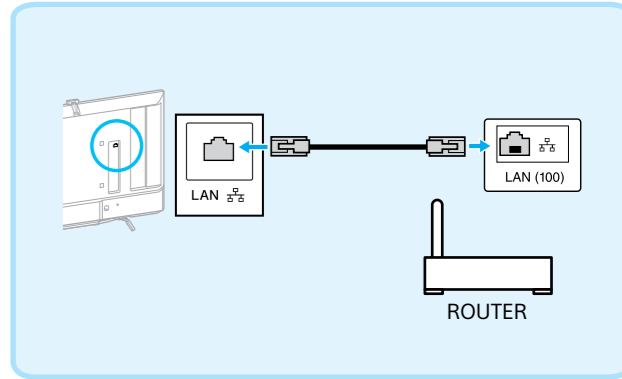
Refer to "Safety Information" in the Reference Guide before transporting the TV.

KDL-50W900B

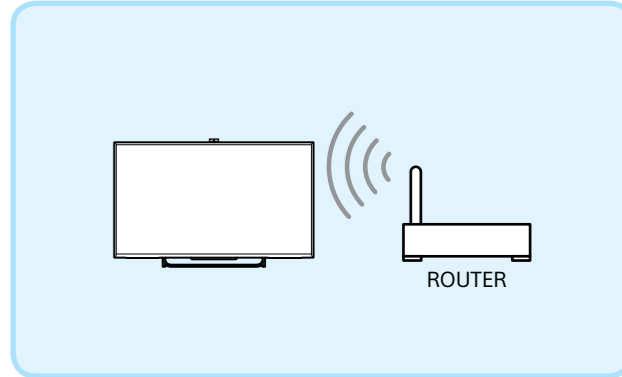


Connections Refer to "Connecting Other Devices" in the Reference Guide for other connection methods.

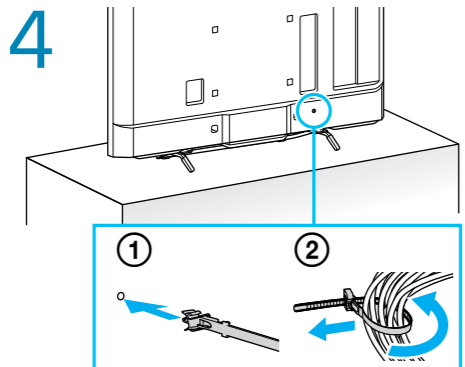
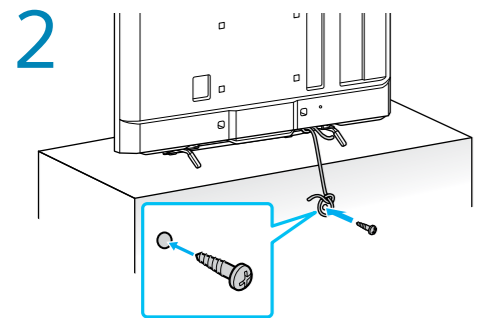
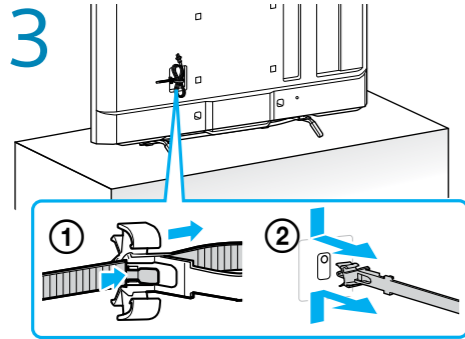
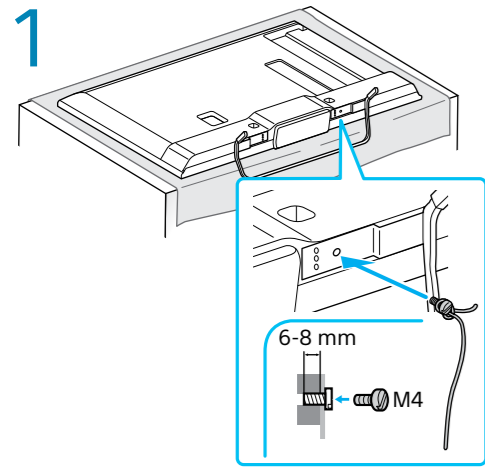
A



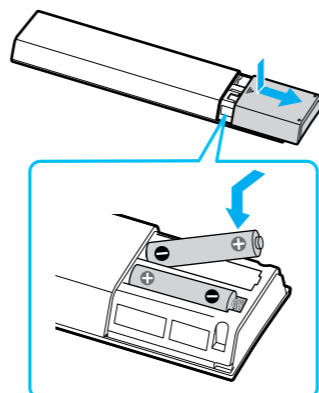
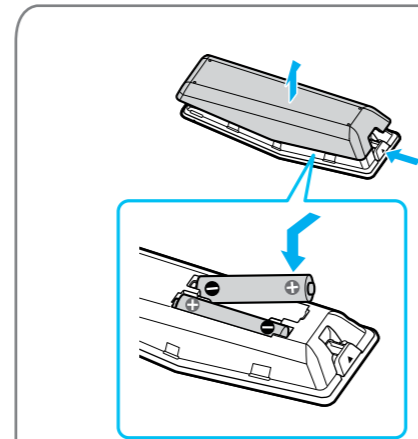
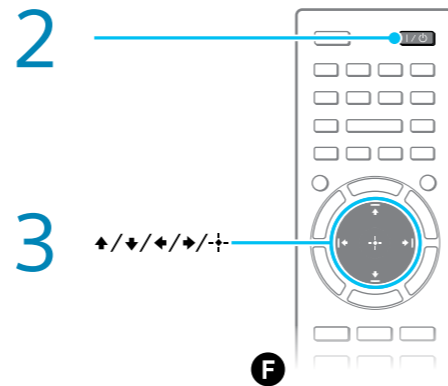
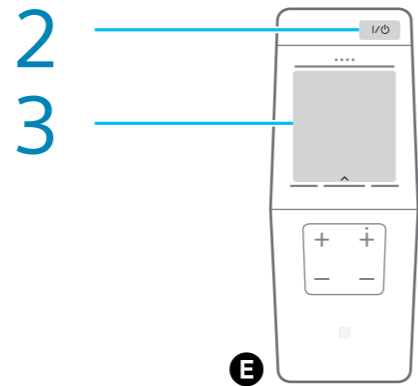
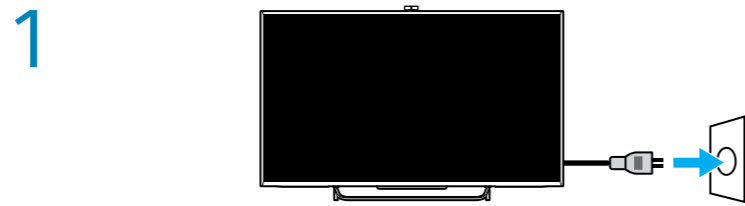
B



Internet connection Wired (use category 7 LAN cable) (A), wireless (B). Refer to the manufacturer or the manual supplied with the router on the router settings. For more information, press i-MANUAL, then select [Table-of Contents] → [Connecting to the Internet].



Installation Do not bundle the AC power cord (mains lead) together with other cables.



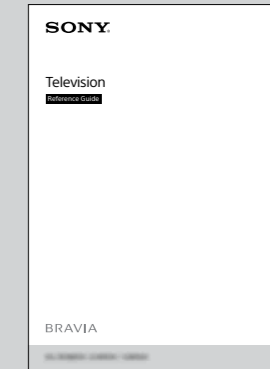
Go through the on-screen initial settings.



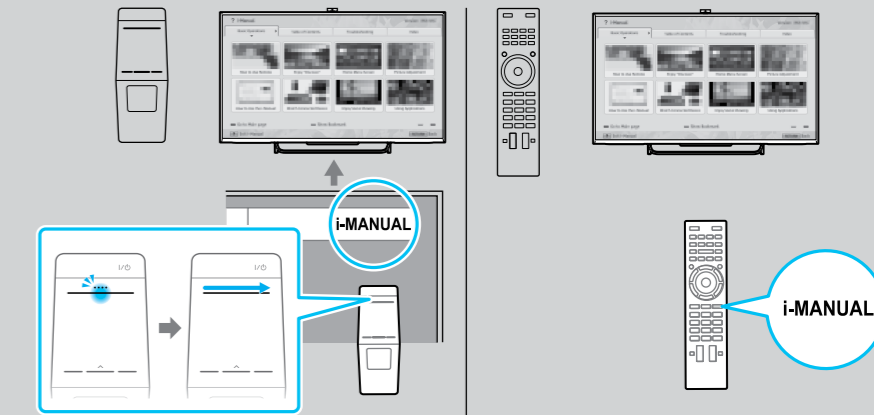
Slide from the HOME button up towards the centre to search for content (such as TV programmes, Internet contents, etc.). Contents that appear in Discover vary depending on your TV model/region/country.



Press SOCIAL VIEW to enjoy chatting with friends while watching TV. The available features in Social Viewing may vary depending on your TV model/region/country.



Reference Guide : Safety Information, Precautions, Other connections, Wall-mounting, Troubleshooting, Specifications



i-Manual : Information on how to use all TV features

<http://www.sony-asia.com/support>