

Box Subwoofer

Instructions

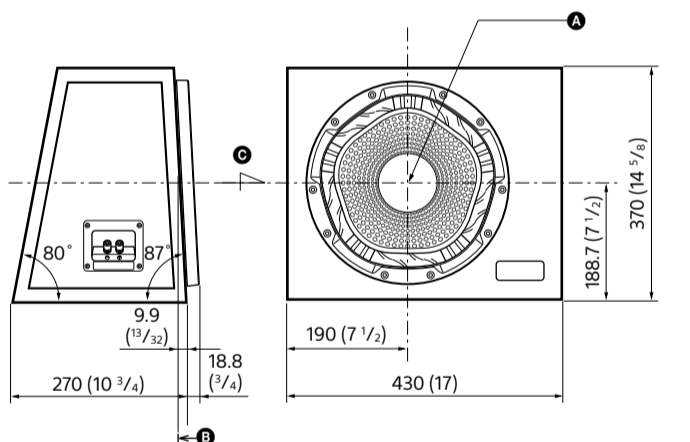
GB

©2013 Sony Corporation Printed in Vietnam

XS-NW12022E

Dimensions

Unit: mm (in)



A Reference Point **B** Reference Plane **C** Reference Axis

Precaution

- This product is designed to be installed in the cargo space of vehicle. Do not install this product in a place where it could distract you or another driver from the road.
- The subwoofer system should be securely installed so as to avoid injury in the event of sudden braking.
- If your car is parked in direct sunlight and there is a considerable rise in temperature inside the car, allow the unit to cool down before use.
- Do not use the unit on a weak battery as its optimum performance depends on a good power supply.
- For safety reasons, keep your car audio volume moderate so that you can still hear sounds outside your car.
- If no power is being supplied to the cassette player or tuner, check the connections.
- Please note the following when installing the units; otherwise malfunction and/or deterioration in sound quality may result.
 - Do not touch the diaphragms and/or speaker cones by hand or with tools.
 - Do not put your fingers through the holes of the frame.
 - Do not drop foreign objects in the units.

Specifications

Speaker	30 cm (12 in), cone type woofer
Enclosure	Shielded type
Short-term Maximum Power ^{*1}	1,800 W ^{*2}
Rated power	300 W ^{*2}
CEA 2031 RMS Power	420 W
Rated impedance	4 Ω
Output sound pressure level	86±2 dB (1 W, 1 m) ^{*2}
In-car output sound pressure level	94 dB (1 W, @driver's seat) ^{*3}
Effective frequency range	32 – 1,000 Hz ^{*2}
Mass	Approx. 12 kg (26 lb 8 oz)
Supplied accessories	Parts for installation

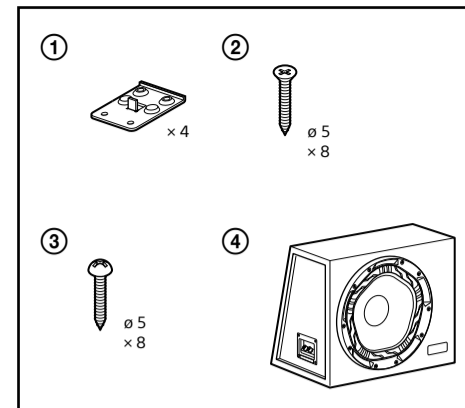
Design and specifications are subject to change without notice.
^{*1} "Short-term Maximum power" may also be referred to as "Peak Power."
^{*2} Testing Condition : IEC 60268-5 (2003-05)
^{*3} Testing Condition : Inside the car

Mounting

Parts list

Before installation

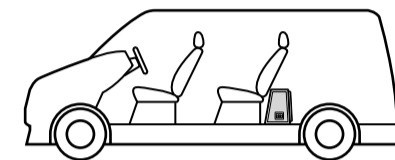
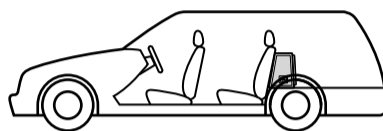
- Choose the installation location carefully so that the unit will not interfere with normal driving.
- Use only the supplied mounting hardware for a safe and secure installation.
- Avoid installing the unit where it would be subject to high temperatures, such as from direct sunlight or hot air from the heater, or where it would be subject to dust, dirt, or excessive vibration.
- As you will need to drill some holes to install the metal fitting, check the underside (under the car, or in the trunk) of the mounting location carefully to make sure there is no fuel line, fuel tank, or electric wires, etc. before drilling the installation holes.



Location

A Rear the back seat

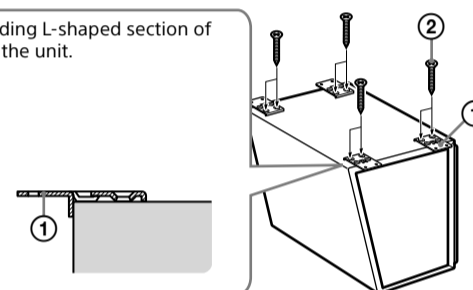
B Cargo space



1

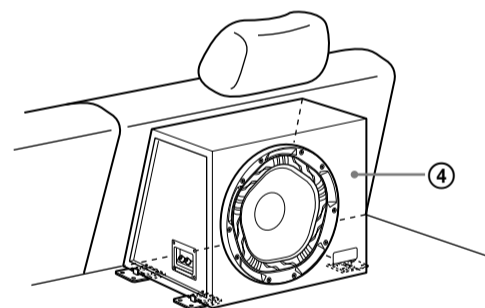
Fasten the fittings ① securely to the unit with the screws ②.

Apply the protruding L-shaped section of ① to the side of the unit.



2

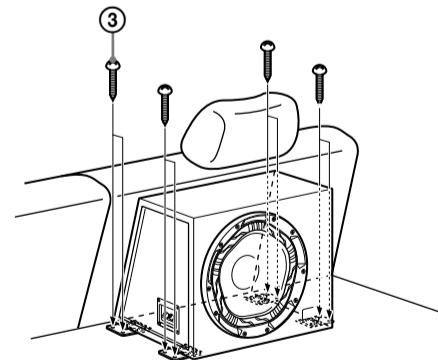
Decide the mounting location.



Caution
Choose a location under which no fuel line, fuel tank, or electric wires are present, because the metal fittings will be attached with tapping screws.

3

Mark and drill the screw holes in the car floor panel, then use the screws ③.



4

Connect the striped speaker cord to the negative terminal. As there is no low-pass filter built-in to this unit, be sure to adjust beforehand the amplifier you connect to (we recommend a cut-off frequency of 80 – 200 Hz).

