

Microcassette™-Corder

Operating Instructions

□ Y, > i defi ###

M-830V/730V

Sony Corporation ©1999 Printed in China

Sony online http://www.sony.com/

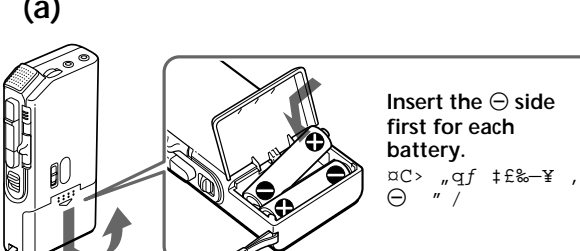
About This Manual

The instructions in this manual are for the M-830V and M-730V. Before you start reading, check your model number. The M-830V is the model used for illustration purposes...

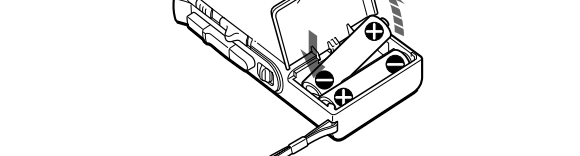
Insert the side first for each battery

Y> > i defi Y, > i defi M-830V M-730V... f p rHl =E f = > i defi

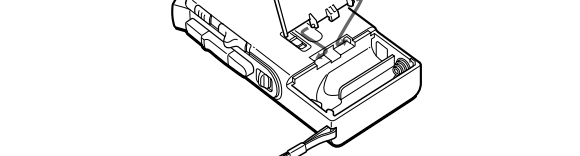
Insert the side first for each battery



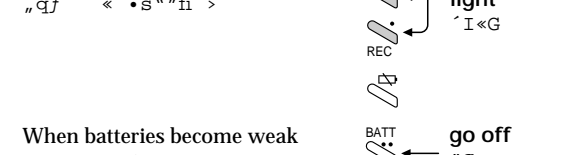
When batteries are new



When batteries become weak



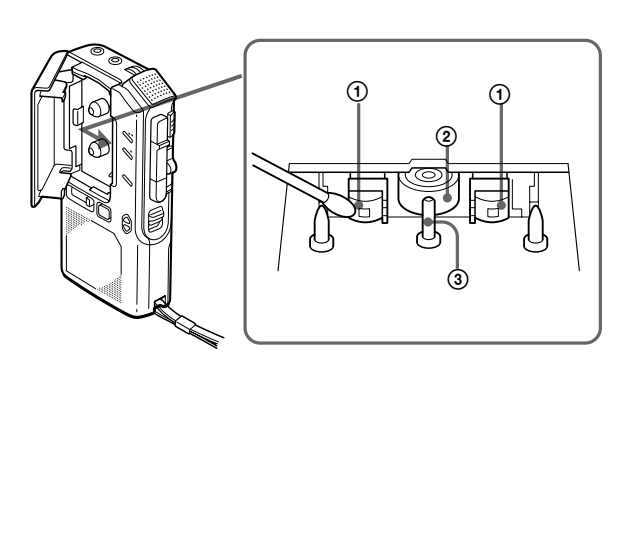
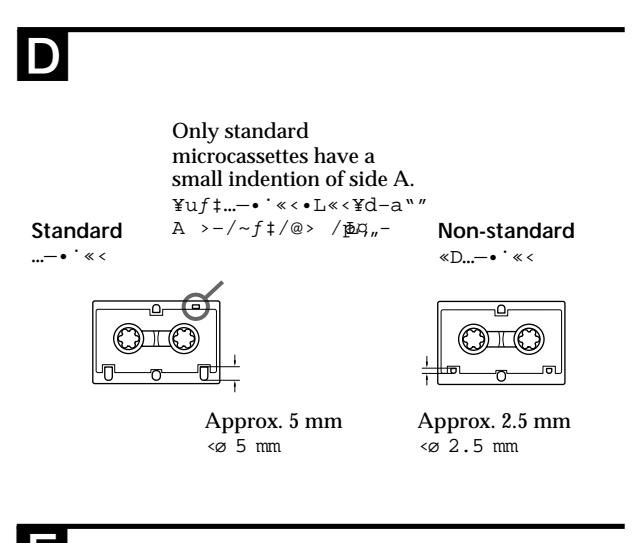
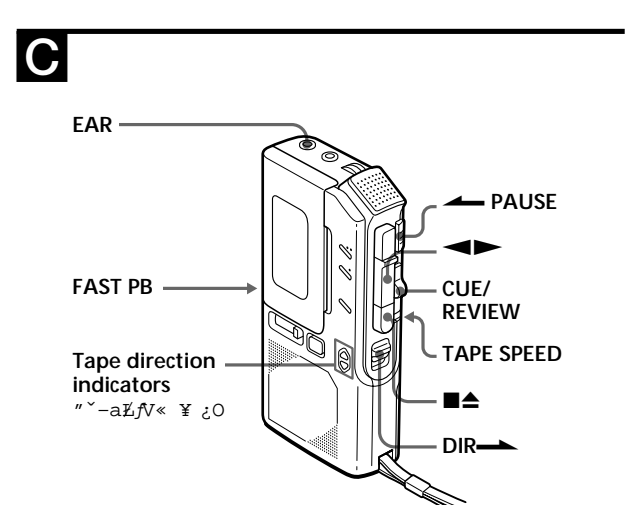
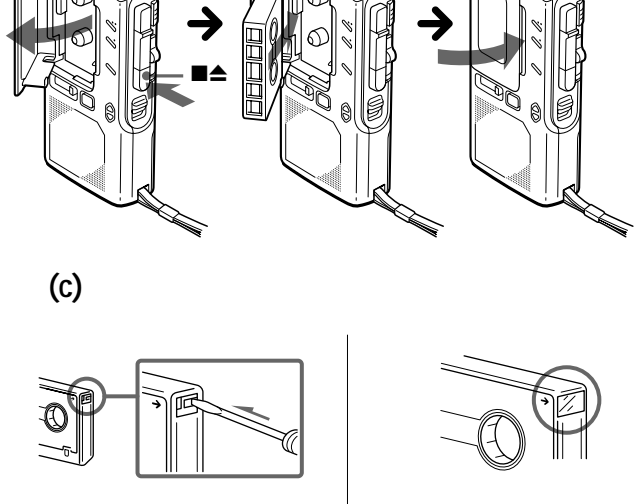
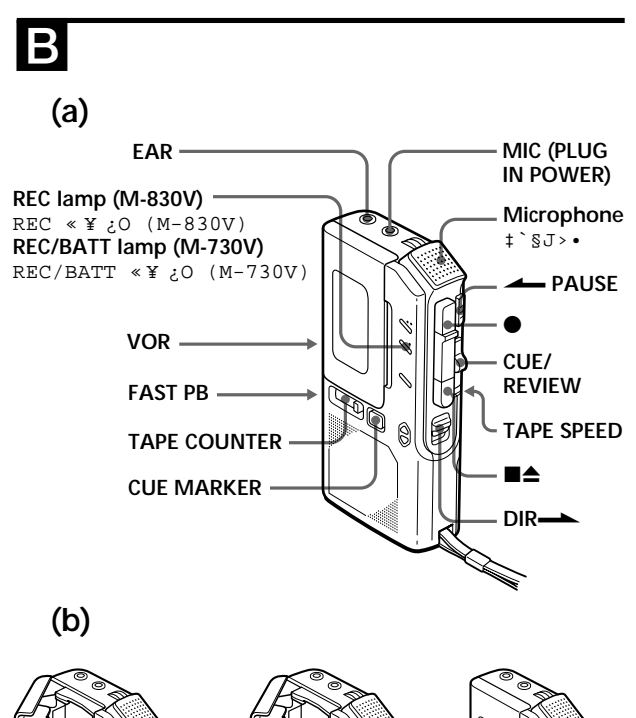
Replace batteries



to the wall outlet



AC power adaptor (not supplied)



Preparing Power Sources

Choose one of the following power sources. Dry Batteries (see Fig. A-(a)) Make sure that nothing is connected to the DC IN 3V jack. 1 Open the battery compartment lid. 2 Insert two R6 (size AA) batteries with correct polarity and close the lid.

To take out the batteries (see Fig. A-(b)) If the battery compartment lid is accidentally detached (see Fig. A-(c)) Attach it as illustrated.

When to replace the batteries For M-730V Replace the batteries with new ones when the REC/BATT lamp dims. For M-830V Replace the batteries with new ones when the BATT lamps go off and the □ lamp flashes. The BATT lamps change as illustrated (see Fig. A-(d)).

Notes • The unit will play back normally for a while, even after the □ lamp flashes. However, replace the batteries as soon as you can. If you do not, the playback cannot be made with normal sound, noise may be recorded and the recorded sound will not be loud enough (M-830V only). • In the following cases you do not need to replace the batteries: - If the REC/BATT lamp, or BATT lamps flash with the playback sound when you turn up the volume. - If the □ lamp lights momentarily when the tape starts running or at the end of the tape (M-830V only). - If the □ lamp flashes during FF (CUE) or REW (REVIEW) (M-830V only).

Table with 2 columns: Batteries, Recording. Rows include Sony manganese R6P (SR) 7 and Sony alkaline LR6 (SG) 24.

Note We recommend recording cue markers when there is a break in the sound.

House current (see Fig. A-(e)) Connect the AC power adaptor to DC IN 3V and to a wall outlet. Use the AC-E30HG AC power adaptor (not supplied) (For "Sony World Model"; in Japan, use the AC-E30M, not supplied). Do not use any other AC power adaptor.

Recording (see Fig. B-(a))

- 1 Press the reset button of the TAPE COUNTER. Note The number in the tape counter will increase when playing back the forward side, and decrease when playing back the reverse side. 2 Press ▲ and insert a standard microcassette with the side to start recording facing the lid (see Fig. B-(b)). 3 Select the desired tape speed. 2.4 cm for optimum sound (recommended for normal use); A 30-minute recording can be made using both sides of the MC-30 microcassette. 1.2 cm for longer recording time; A 60-minute recording can be made using both sides of the MC-30 microcassette. 4 Choose recording sides. To record on both sides Slide DIR → so that the REV indicator turns green. Recording will start from the side facing the cassette holder window (forward side) and switches automatically to the reverse side at the end of the side (Auto Reverse). Notes • Make sure the tabs on both sides are not removed. • Even if only the tab on the reverse side is removed, recording cannot be made. To record on a single side Slide DIR → so that the REV indicator turns green. Recording will start from the side facing the unit (reverse side). Note Make sure the tab on the reverse side is not removed.

5 Set VOR to H or OFF. If you set VOR to H or L, the unit automatically starts recording the sound and pauses when there is no sound (you can save tapes and batteries). H: To record at meeting or in a quiet and/or spacious place. L: To record for dictation or in a noisy place. When the sound is not loud enough, set it to OFF, or the unit may not start recording. 6 Press ●. ● is pressed simultaneously and recording starts. While the tape runs, the REC lamp (M-830V) or REC/BATT lamp (M-730V) lights and flashes depending on the strength of the sound. Recording level is fixed.

Table with 2 columns: To, Press or slide. Rows include Stop recording, Start recording during playback, Review the portion just recorded, Pause recording, and Take out a cassette.

Note Select the 2.4 cm tape speed for recording. If you play back the recorded tape with another unit. Otherwise, the sound quality may be changed.

Notes on recording sides • When recording on both sides, recording will not be made for a few seconds while the tape is switching sides. • When you open the cassette holder, the direction of the tape is reset to the forward side. • The DIR → switch cannot be used during recording. Notes on VOR (Voice Operated Recording) • The VOR system depends on the environmental conditions. If you cannot get the desired results, set VOR to OFF. • When you use the system in a noisy place, the unit will stay in the recording mode. If the sound is too soft, on the contrary, the unit will not start recording. Set VOR to H (high) or L (low) depending on the conditions. To monitor the sound Connect an earphone (supplied to "Sony World Model" only) to EAR Jack. The monitor volume cannot be adjusted by VOL.

To prevent a cassette from being accidentally recorded (see Fig. B-(c)) Break out and remove the cassette tabs. To reuse the cassette for recording, cover the tab hole with adhesive tape.

Recording cue markers (M-830V only) While recording, you can record a special signal on the tape to mark a specific position. At the desired position, press CUE MARKER to record a signal. The REC lamp goes off and a signal will be recorded on the tape. If you want to record a signal longer than that, press CUE MARKER as long as you want. During cue and review, you will hear the beep sound at the signal position. During playback with the headphones plugged in, you will hear the signal with low frequency sound at the signal position.

Notes • We recommend recording cue markers when there is a break in the sound. • The beep may sound differently depending on the marked position on the tape because the winding speed varies from the beginning to the end of the tape.

Playing a Tape (see Fig. C)

- 1 Insert a cassette with the side to start playing facing the lid. 2 Select the tape speed to the same speed as that used for recording. 3 Press ●. 4 Adjust the volume.

At the end of the reverse side, playback stops and the unit turns off automatically. If you plug in headphones (not supplied) to the EAR jack, you will get monaural output from both left and right channels.

Table with 2 columns: To, Press or slide. Rows include Stop playback/stop fast forward or rewind, Pause playback, Play back only the reverse side, Fast forward, and Rewind.

Note If the tape is completely wound or rewound while searching forward/backward during playback (CUE/REVIEW), the CUE/REVIEW switch may not return to the center position when you release the switch. In this case, push back the switch to the center to start playback.

To increase the playback speed (M-830V only) Slide the FAST PB switch in the direction of the arrow. The playback speed will be increased. To return to the original speed, slide the FAST PB switch to the original position.

At the end of the tape In the recording or playback mode, the tape stops at the end of the reverse side and the locked buttons will be released automatically (Automatic shut-off mechanism). After fast forward or rewind, be sure to set CUE/REVIEW back to the center.

Recording/Playback with the Connected Equipment

Dubbing onto another tape recorder Connect another tape recorder to the EAR jack using the RK-G64HG connecting cord (not supplied) (For "Sony World Model"; in Japan, use the RK-G64, not supplied). Set this unit to the playback mode and another tape recorder to the recording mode.

Recording from another tape recorder Connect another tape recorder to the MIC jack using the RK-G64HG connecting cord (not supplied) (For "Sony World Model"; in Japan, use the RK-G64, not supplied). Set this unit to the recording mode and another tape recorder to the playback mode. In this case set VOR to OFF.

Recording with an External Microphone Connect a microphone to the MIC jack. Use a microphone of low impedance (less than 3 kilohms) such as ECM-T115 (not supplied). When using a plug-in-power system microphone, the power to the microphone is supplied from this unit.

Note When recording with an external microphone, the VOR system may not work properly because of the difference in sensitivity.

Table with 2 columns: To, Press or slide. Rows include Stop recording, Start recording during playback, Review the portion just recorded, Pause recording, and Take out a cassette.

Note Select the 2.4 cm tape speed for recording. If you play back the recorded tape with another unit. Otherwise, the sound quality may be changed.

Precautions

On power • Operate the unit only on 3 V DC. For AC operation, use the AC power adaptor recommended for the unit. Do not use any other type. For battery operation, use two R6 (size AA) batteries.

On the unit • Use only the MICROCASSETTE™ (standard microcassettes) with this unit. Non-standard cassettes cannot be used because their "L" dimension (see illustration) is different (see Fig. B). • Do not leave the unit in a location near heat sources, or in a place subject to direct sunlight, excessive dust or mechanical shock. • Should any solid object or liquid fall into the unit, remove the batteries or disconnect the AC power adaptor, and have the unit checked by qualified personnel before operating it any further.

Keep personal credit cards using magnetic coding or spray-wound watches etc. away from the unit to prevent possible damage from the magnet used for the speaker. • When you do not use the unit for long, remove the batteries to avoid damage caused by battery leakage and subsequent corrosion. • If the unit has not been used for long, set it in the playback mode and warm it up for a few minutes before inserting a cassette.

If you have any questions or problems concerning your unit, please consult your nearest Sony dealer.

Troubleshooting

Should any problem persist after you have made these checks, consult your nearest Sony dealer.

A cassette cannot be inserted. → The cassette is being inserted in the wrong way. → The tape has been already pressed. Playback cannot be made. → The tape has reached the end of the reverse side. Press DIR → to switch playback side to FWD. → The batteries are weak. Replace both batteries with new ones. → The head is contaminated. Recording cannot be made. → There is no cassette in the cassette compartment. → The tab on the tape has been removed. (Even if only the tab on the reverse side is removed, recording cannot be made.) To reuse the tape for recording, cover the tab hole with adhesive tape. To record on one side only, insert a cassette with the side to start recording facing away from the lid (reverse side). → The batteries are weak. Replace both batteries with new ones. → The head is contaminated. → Improper setting of the VOR switch. Recording is interrupted. → The VOR switch is set to H or L. When you do not use VOR, set it to OFF.

During CUE/REVIEW the tape stops or does not run. You cannot fast-forward or rewind. → The batteries are weak. Replace both batteries with new ones. → PAUSE is slid in the direction of the arrow. → The AC power adaptor is connected to the unit only and you are going to use the unit on batteries. No sound comes from the speaker. → The earphone is plugged in. → The volume is turned down completely. The sound drops out or comes with excessive noise. → The volume is turned down completely. → The batteries are weak. Replace both batteries with new ones. → The head is contaminated. See "Maintenance". Tape speed is too fast or too slow in the playback mode. → Improper setting of the TAPE SPEED switch. Set it to the same speed as that used for recording.

Tape speed is faster than the normal playback speed. → The FAST PB switch (M-830V only) is slid in the direction of the arrow. Recording cannot be erased completely. → The head is contaminated.

- 1 < E TAPE COUNTER > -> f -> e -> 2 < E TAPE COUNTER > -> f -> e -> 3 < E TAPE COUNTER > -> f -> e -> 4 < E TAPE COUNTER > -> f -> e -> 5 VOR > f -> e -> 6 < E TAPE COUNTER > -> f -> e ->

Maintenance (see Fig. E)

To clean the tape head and path Press & wipe the head ①, capstan ② and the pinch roller ③ with a cotton swab, moistened with alcohol every 10 hours of use.

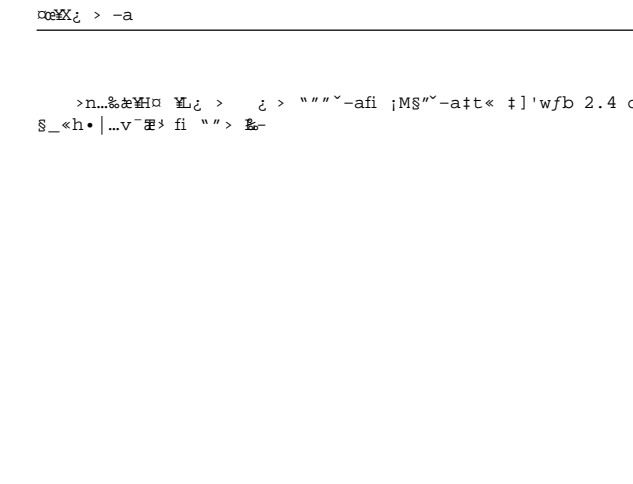
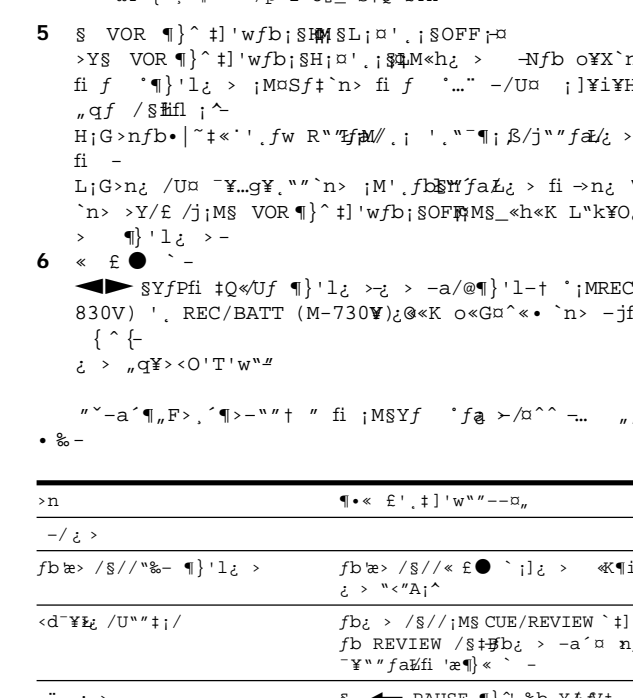
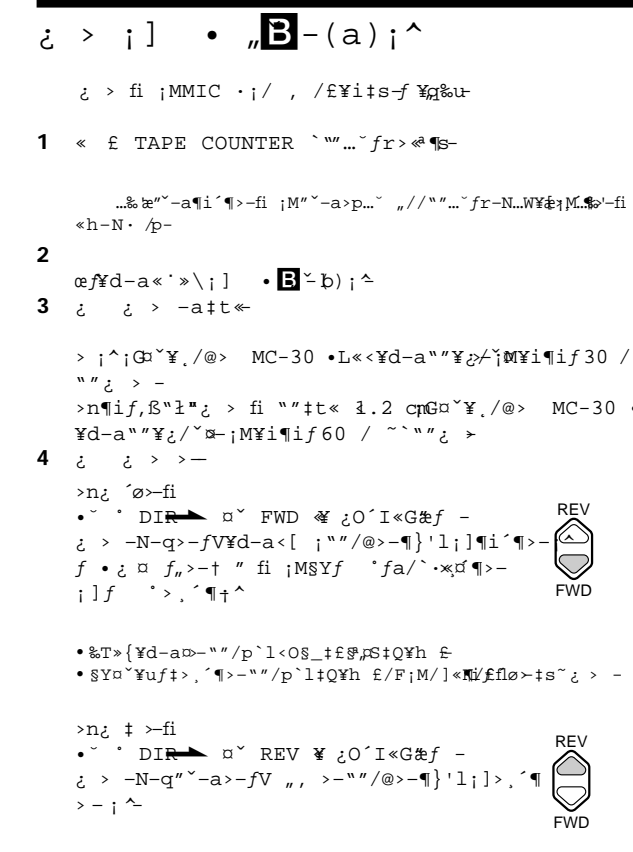
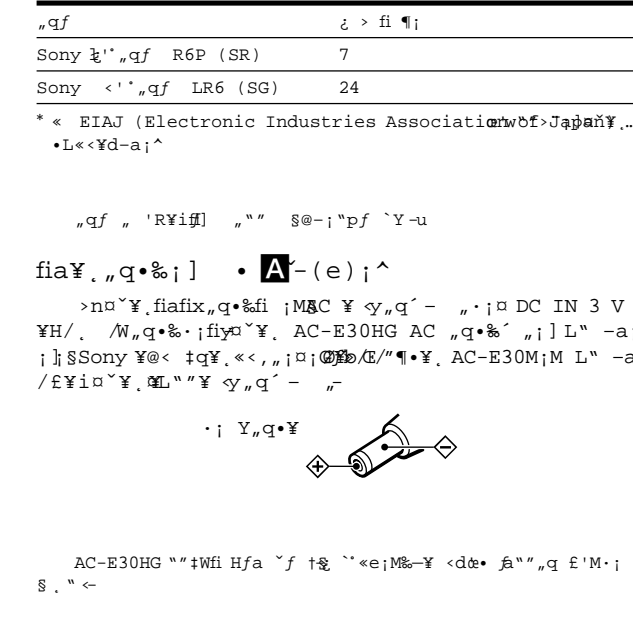
To clean the exterior Use a soft cloth slightly moistened in water. Do not use alcohol, benzine or thinner.

Specifications

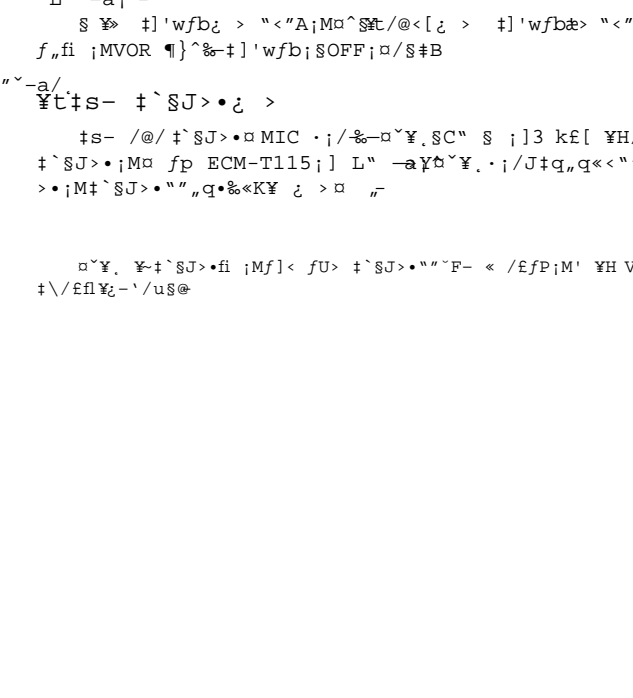
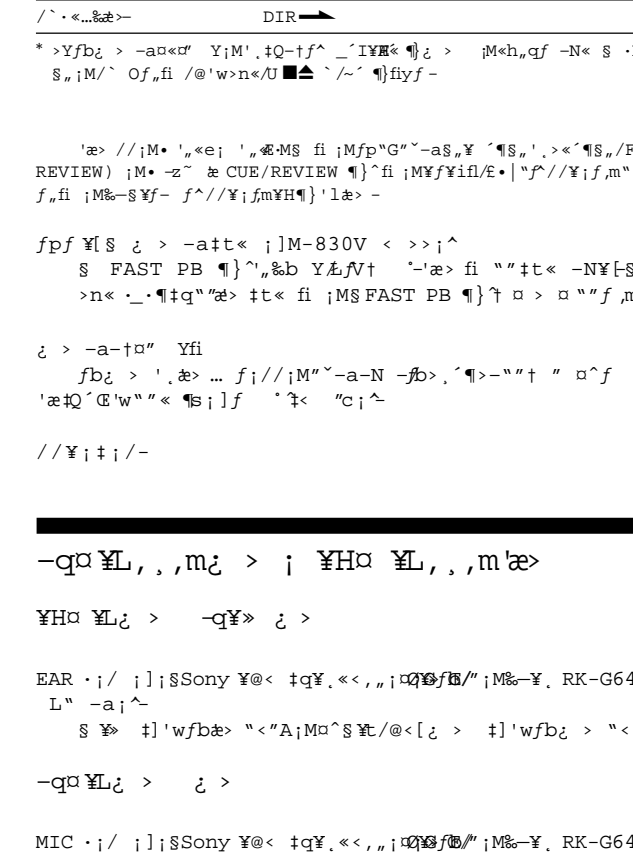
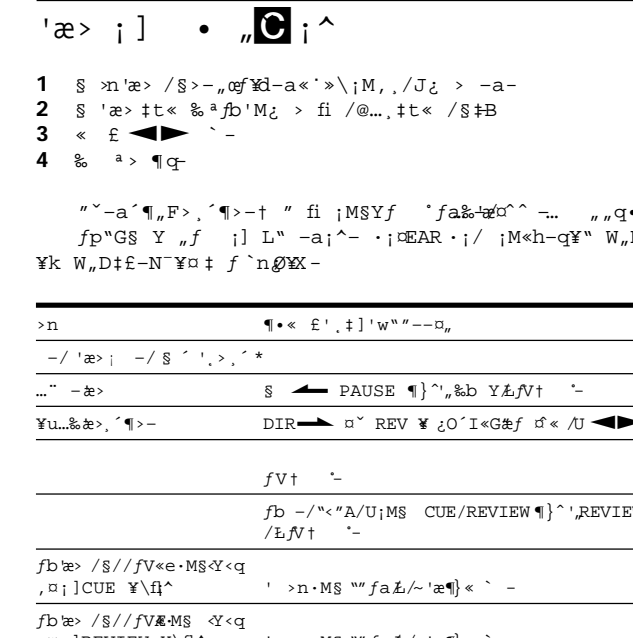
Table with 2 columns: Tape, Recording system, Speaker, Dimensions (w/h/d), Mass, Power requirements, Dimensions (w/h/d), Mass, Supplied accessories, Power requirements, Dimensions (w/h/d), Mass, Supplied accessories, Power requirements, Dimensions (w/h/d), Mass, Supplied accessories.

Design and specifications are subject to change without notice.

SONY M-830V/730V... fi ¥\$/%YQ



SONY M-830V/730V... fi ¥\$/%YQ



SONY M-830V/730V... fi ¥\$/%YQ

