

# Radio Cassette-Corder

Operating instructions  
使用說明書



Printed using VOC (Volatile Organic Compound)-free vegetable oil based ink.

©2003 Sony Corporation  
http://www.sony.net/

"WALKMAN" is a registered trademark of Sony Corporation to represent Headphone Stereo products.

WALKMAN is a trademark of Sony Corporation.

The validity of the CE marking is restricted to only those countries where it is legally enforced, mainly in the countries EEA (European Economic Area). CE 標誌的有效性，僅限於那些有法律限制的國家，主要在 EEA (歐洲經濟區) 國家。

## WARNING

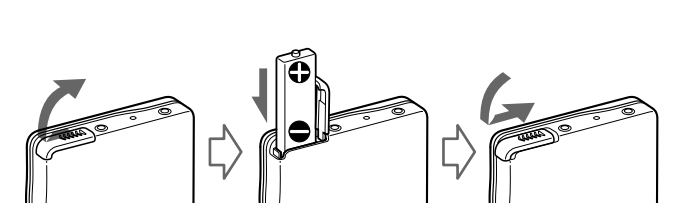
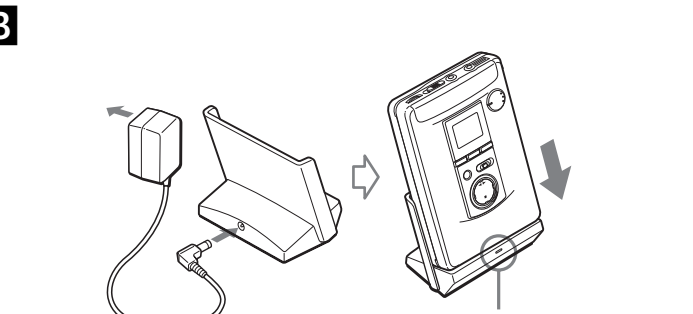
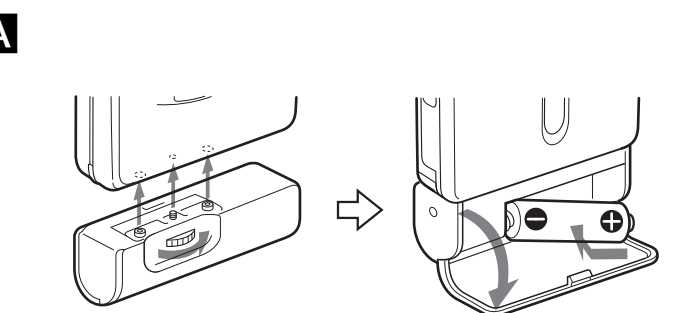
To prevent fire or shock hazard, do not expose the unit to rain or moisture.

Do not install the appliance in a confined space, such as a bookcase or built-in cabinet.

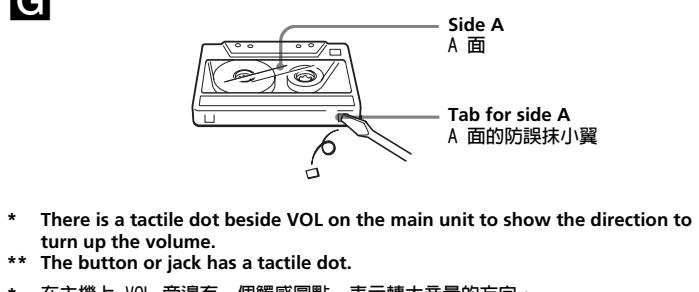
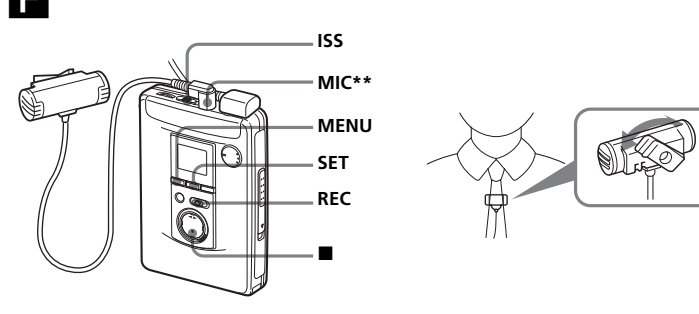
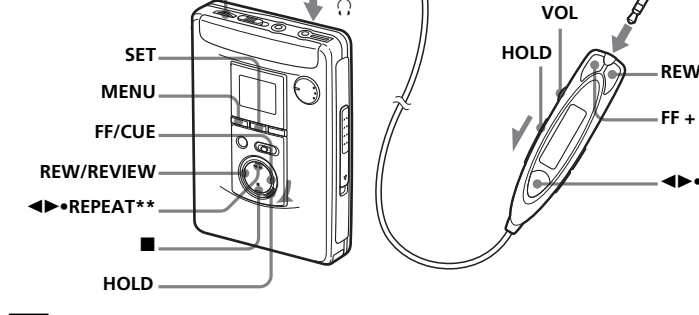
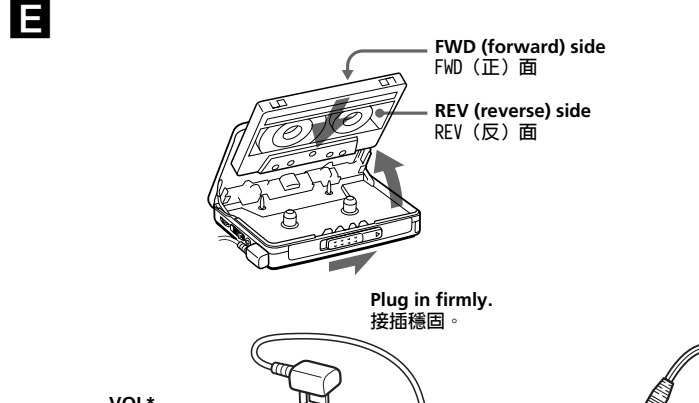
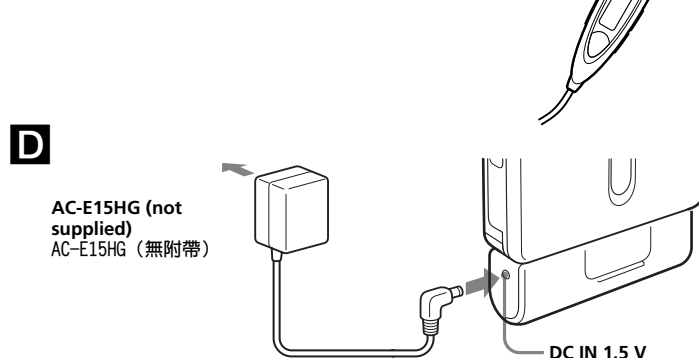
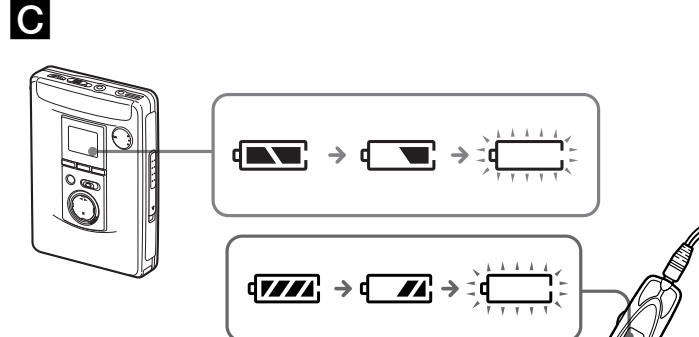
## 警告

為防火災或觸電危險，切勿讓機器暴露於雨中或潮濕處。

別把機器安裝在例如書櫃或壁櫃等密不通風的地方。



- There is a tactile dot beside VOL on the main unit to show the direction to turn up the volume.
- The button or jack has a tactile dot.
- 在主機上 VOL 旁邊有一個觸感凸點，表示轉大音量的方向。
- 按鈕或插孔有觸感凸點。



## English

**Note**  
Tapes recorded with setting to "2X" cannot be played properly on a cassette player/tape recorder without this function.

- To prevent fire, do not cover the ventilation of the apparatus with newspapers, table-cloths, curtains, etc. And don't place lighted candles on the apparatus.
- To prevent fire or shock hazard, do not place objects filled with liquids, such as vases, on the apparatus.
- Certain countries may regulate disposal of the battery used to power this product. Please consult with your local authority.

## Preparations

Prepare a dry battery (not supplied) or the rechargeable battery (supplied).

### Dry Battery A

Attach the supplied battery case, and then insert one R6 (size AA) battery with correct polarity.

### Rechargeable Battery B

Charge the rechargeable battery before using it for the first time.

- Insert the supplied rechargeable battery NH-14WM (A) into the rechargeable battery compartment with correct polarity.
- Connect the supplied AC power adaptor to the charging stand, plug in the AC power adaptor to the house current (mains). If the plug does not fit to your mains, attach the supplied AC plug adaptor (Saudi Arabian model only).
- Place the main unit on the charging stand. The CHG lamp will light up. Full charging takes about 6 hours. The CHG lamp will go off when the battery is fully charged.

**Note**  
Do not use the unit while charging. Remove the unit from the charging stand when using it.  
-If you operate the unit while charging, the battery will not be charged.  
-If you operate the unit while charging, it may cause malfunction.  
-Do not place the unit on the charging stand without the rechargeable battery. Otherwise, it may cause malfunction.

### When to replace/charge the battery C

Replace or charge the battery when "C" flashes in the display.

### Battery life\* (Approx. hours)

Sony alkaline LR6 (SG)**	
Tape playback	44
Radio reception	56
MIC recording	15
Radio recording	12

### Rechargeable battery NH-14WM (A)

Tape playback	26
Radio reception	34
MIC recording	9
Radio recording	7

### Sony alkaline LR6 (SG)\*\* and Rechargeable NH-14WM (A)

Tape playback	70
Radio reception	90
MIC recording	24
Radio recording	19

- \* Measured value by the standard of JEITA (Japan Electronics and Information Technology Industries Association). (Using a Sony HF series cassette tape)
- \*\* When using a Sony LR6(SG) "STAMINA" alkaline dry battery (produced in Japan).

### Notes

- The battery life may be shorter depending on the operating condition, the surrounding temperature and battery type.
- The AVLS setting (see "Using the Menu") will be cancelled when you replace the battery.

### House Current D

You must purchase an AC power adaptor AC-E15HG to operate this unit using house current.

Remove the rechargeable battery if inserted. Attach the battery case and connect the AC power adaptor AC-E15HG (not supplied) to the DC IN 1.5 V jack of the battery case and to the wall outlet. Do not use any other AC power adaptor. Specifications for AC-E15HG vary for each area. Check your local voltage and the polarity of the plug before purchasing.

## Playing a Tape

- Insert a cassette and if the HOLD function is on, slide the HOLD switch in the opposite direction of the arrow to unlock the controls.
- Press MENU repeatedly to set " " (the cursor) in the display to REC/PB. Then press SET to select "2X" or none (normal speed) which is the same position as that used for recording. To playback commercially available music tape, etc., select normal (no indication).
- Press ◀▶•REPEAT on the main unit and adjust the volume with VOL. (On the remote control, press ◀▶(play)•■(stop).)

### When adjusting the volume on the remote control

Set the VOL control on the main unit to around 6.

### When adjusting the volume on the main unit

Set the VOL control on the remote control at maximum.

### Operation on the remote control

To	Press
Switch playback to the other side	◀▶•■ for 2 seconds or more during playback
Stop playback	◀▶•■ once during playback

### Operation on the main unit

To	Press
Switch playback to the other side	◀▶•REPEAT during playback
Stop playback	■(stop)

### Other tape operations

To	Press
Fast forward*	FF/CUE (FF + on the remote control) during stop
Rewind*	REW/REVIEW (REW - on the remote control) during stop
Search forward during playback (CUE)	Press and hold FF/CUE (FF + on the remote control) and release it at the point you want.
Search backward during playback (REVIEW)	Press and hold REW/REVIEW (REW - on the remote control) and release it at the point you want.

\* A-B Repeat stops automatically after repeating 50 times.  
• Do not use the A-B Repeat function with tapes longer than 90 minutes. If you do, the tape may be damaged.

## Recording

You can record radio programs from the built-in radio, or record with the supplied microphone. In either case, use a new or fully charged battery.

### Note

- If the record-protect tab is broken, you cannot record on that side.
- 1 Insert a normal (TYPE I) tape.
- To record on both sides Insert the cassette with the side to be first recorded on as the FWD (forward) side\*.

\* Make sure that "FWD" is displayed. If not, press and hold ■ until "REV" changes to "FWD".

### A-B Repeat

A-B Repeat plays back repeatedly any portion of the tape you specified. Specify by tagging the beginning (point A) and the end (point B) of the portion during playback.

### On the main unit

- Press ◀▶•REPEAT for 2 seconds or more during playback to tag point A. "A-" will flash in the display of the main unit.
- Press ◀▶•REPEAT again to tag point B. "A-B" will flash and the tape will move rapidly to point A. Then "REP" appears in the display and the specified portion is played repeatedly.

### On the remote control

- Press ◀▶•■ twice quickly during playback to tag point A.
- Press ◀▶•■ once more to tag point B. The tape will be rewound to point A. Then the specified portion is played repeatedly.

### To stop the A-B Repeat playback

Press ◀▶•REPEAT on the main unit. On the remote control, press ◀▶•■.

### To reset A-B Repeat

When you want to change a specific portion, stop the A-B Repeat playback and tag point A and point B again.

### Notes

- You cannot specify a repeat portion that includes both sides of the tape.
- You cannot specify a repeat portion shorter than 2 seconds.
- After repeated operation, the actual portion that is played back may shift somewhat from the exact portion specified with the tags due to tape slack.

4 Slide REC. "REC" appears in the display and recording starts after about 2 seconds. If you have started recording from the FWD side, recording will switch to reverse side automatically at the end of the FWD side.

### To stop recording

Press ■ (on the remote control, press ◀▶•■ to stop recording).

### To reduce noise while recording AM programs

Set the ISS (Interference Suppress Switch) to the position that reduces noise the most.

### To monitor the recording sound

You can monitor the recording sound through headphones/earphones. Adjust monitoring level using VOL.

### Note

- You may hear some noise in the monitor sound in the RV, MB, or GRV mode (see "Using the Menu"), but this does not affect recording.
- Notes on recording
  - The recording level is fixed.
  - Sound emphasis (RV, MB, or GRV) and AVLS settings do not affect recording.
  - Actual recording will start about 2 seconds (3 seconds when "2X" is selected for recording time) after you slide the REC button. Slide the REC button about 2 seconds (3 seconds when "2X" is selected for recording time) before the moment you want to start recording, or you will miss the beginning of your recording.
  - When recording on both sides, recording will not be made for about 10 seconds while the tape is switching sides.
  - Do not use a high-position (TYPE II) or metal (TYPE IV) tape. If you do, the sound may be distorted when you play back the tape, or the previous recording may not be erased completely.
  - Do not connect or disconnect the headphones/earphones to/from □ while recording from the radio. The recording condition may change abruptly, or noise may be recorded.
  - To avoid noise interference, do not place it near a lamp cord or a fluorescent lamp when recording with the microphone.
  - If a howling effect occurs, turn down the volume.
  - All other operation cannot be made while recording. For other operation, stop recording first.

### To prevent a tape from being accidentally recorded over

Break off the tabs from side A and/or B. To reuse the tape for recording, cover the tab hole with adhesive tape.

### How to replace the tape

Slide the cassette holder open and insert a new cassette tape. Make sure the "FWD" or "REV" side is facing the correct direction.

### Notes

- Do not use a high-position (TYPE II) or metal (TYPE IV) tape. If you do, the sound may be distorted when you play back the tape, or the previous recording may not be erased completely.
- Do not connect or disconnect the headphones/earphones to/from □ while recording from the radio. The recording condition may change abruptly, or noise may be recorded.
- To avoid noise interference, do not place it near a lamp cord or a fluorescent lamp when recording with the microphone.
- If a howling effect occurs, turn down the volume.
- All other operation cannot be made while recording. For other operation, stop recording first.

### To prevent a tape from being accidentally recorded over

Break off the tabs from side A and/or B. To reuse the tape for recording, cover the tab hole with adhesive tape.

### How to replace the tape

Slide the cassette holder open and insert a new cassette tape. Make sure the "FWD" or "REV" side is facing the correct direction.

(turn over)

## 中文

**註**  
用 "2X" 設定錄音的磁帶如沒有本功能，將不能在盒帶播放機/磁帶錄音機上正常播放。

- 為防止火災，請勿讓報紙、桌布、窗簾等蓋住裝置的通風孔。也不可把點燃的蠟燭放在裝置上。
- 為防止火災或觸電的危險，請勿將裝滿液體的物體，例如花瓶等放在裝置上。
- 一部份國家對本產品的電源用電池的處理，可能有所規定。此請詢問當地有關當局。

## 準備工作

準備乾電池（無附帶）或充電式電池（附帶）。

### 乾電池 A

安裝附帶的電池盒，然後按正確極性裝入一節 R6 (AA) 電池。

### 充電式電池 B

充電式電池在第一次使用前，必須加以充電。

- 以正確極性將附帶的充電式電池 NH-14WM (A) 插入充電式電池盒中。
- 將附帶的 AC 電源轉接器連接到充電座，將 AC 電源轉接器插到家庭用電源插座（主電源）。如果插頭與所用主電源插座不匹配，請裝上附帶的 AC 電源插頭轉接器（僅限於沙特阿拉伯型號）。
- 把主機放在充電座上。完全充電需時大約 6 小時。當電池完全充滿電時，CHG 燈將熄滅。

• 電池壽命可能因操作條件、環境溫度和電池類型而縮短些。  
• 當更換電池時，AVLS 設定（參見 "使用項目單"）將被取消。

### 家用電源 D

要使用家用電源為本機供電，您必須購買 AC-E15HG AC 電源轉接器。

如果裝有充電式電池，請將其取出。裝上電池盒，將 AC-E15HG AC 電源轉接器（無附帶）連接到電池盒的 DC IN 1.5 V 插孔和牆上插座。

請勿使用任何其他的 AC 電源轉接器。

AC-E15HG 的規格根據地區而異，在購買之前請核查您所地區的電壓和插頭的電極。

## 何時更換電池/給電池充電

"C" 在顯示窗中閃爍時，即請更換電池或給電池充電。

電池壽命* (大約時數)	
Sony 鹼電池 LR6 (SG)**	
錄音帶錄音	44
聽收音機	56
MIC 錄音	15
收音機錄音	12

### 同時使用 Sony 鹼電池 LR6 (SG)\*\* 和充電式電池 NH-14WM (A)

錄音帶錄音	70
聽收音機	90
MIC 錄音	24
收音機錄音	19

- \* 按 JEITA (Japan Electronics and Information Technology Industries Association) 標準測定的值。（使用 Sony HF 系列磁帶）
- \*\* 使用 LR6 (SG) 型 Sony "STAMINA" 鹼電池（日本製）時。

• 電池壽命可能因操作條件、環境溫度和電池類型而縮短些。  
• 當更換電池時，AVLS 設定（參見 "使用項目單"）將被取消。

### 家用電源 D

要使用家用電源為本機供電，您必須購買 AC-E15HG AC 電源轉接器。

如果裝有充電式電池，請將其取出。裝上電池盒，將 AC-E15HG AC 電源轉接器（無附帶）連接到電池盒的 DC IN 1.5 V 插孔和牆上插座。

請勿使用任何其他的 AC 電源轉接器。

AC-E15HG 的規格根據地區而異，在購買之前請核查您所地區的電壓和插頭的電極。

## 播放錄音帶

- 裝入卡帶，如果遙控器的 HOLD 功能仍打開著，即請沿相反於箭頭方向滑動 HOLD 開關以釋放控制鈕。
- 反復按 MENU 以便在顯示屏中將 " " (游標) 設到 REC/PB。然後按 SET 選擇 "2X" 或無 (正常速度)，這位置應和錄音時使用的位置一樣。
- 按主機上的 ◀▶•REPEAT 並用 VOL 調節音量。(在遙控器上，則請按 ◀▶(收音) •■(停止)。)

要	請按
從頭播放下一曲/接下 9 首曲子 (AMS**)	播放中按一次/反復按 FF/CUE (在遙控器上按 FF +)
從頭播放現在收音中曲子/前面 8 首曲子 (AMS**)	播放中按一次/反復按 REW/REVIEW (在遙控器上按 REW -)
從頭播放另一首 (重繞 自動播放功能)	播放中按一次/反復按 REW/REVIEW (在遙控器上按 REW -)
從頭播放同一首 (重繞 自動播放功能)	停止中按 REW/REVIEW (在遙控器上按 REW -) 2 秒以上

### 在遙控器上調節音量時

請把主機上的 VOL 控制鈕設定於 6 左右。

### 在主機上調節音量時

請把遙控器上的 VOL 控制鈕設定於最大。

### 在遙控器上的操作

要	請按
換播放另一面	播放中按 ◀▶•■ 2 秒以上
停止播放	播放中按一次 ◀▶•■

### 在主機上的操作

要	請按
換播放另一面	播放中按 ◀▶•REPEAT 2 秒以上
停止播放	按 ■ (停止)

### 其他磁帶操作

要	請按
快進繞*	停止中，請按 FF/CUE (在遙控器上按 FF +)
重繞*	停止中，請按 REW/REVIEW (在遙控器上按 REW -)
播放期間向前搜索 (CUE)	按住 FF/CUE (在遙控器上按 FF +)，在所要的點上釋放。
播放期間向後搜索 (REVIEW)	按住 REW/REVIEW (在遙控器上按 REW -)，在所要的點上釋放。

## 錄音 F

您可以從內置的收音機錄製廣播節目，也可以用附帶的麥克風進行錄音。不管是哪種情況，都請使用新的或充足了電的電池。

### 要監聽錄音中的聲音

您可以用頭戴式耳機/耳機來監聽正在錄製的聲音。可用 VOL 控制旋鈕調節監聽的音量。

### 只要錄一面時

A-B 反復功能反復播放您所指定的錄音帶的任何一部分。請在收音中標記該部分的始點 (A 點) 和終點 (B 點)。

### 在遙控器上

- 在收音中快速按兩下 ◀▶•■ 標記 A 點。
- 再按一下 ◀▶•■ 標記 B 點。隨後反復播放所指定的部分。

### 在主機上

- 在收音中按 ◀▶•REPEAT 鍵 2 秒鐘以上標記 A 點。
- 再按一下 ◀▶•REPEAT 鍵標記 B 點。

### 要停止 A-B 反復錄音時

請按主機上的 ◀▶•REPEAT，或按遙控器上的 ◀▶•■。

### 要恢復 A-B 反復錄音時

當您想要改變指定的部分時，請停止 A-B 反復錄音並重新標記 A 點和 B 點。

### 註

- 您不能指定跨錄音帶兩面的重複部分。
- 您不能指定短於 2 秒鐘的重複部分。
- 在反復操作之後，由於錄音帶的鬆弛，實際播放的部分可能和所標記指定的部分稍有不同。
- 在反復 50 次後，A-B 反復錄音自動停止。
- 請勿用長度 90 分鐘以上的磁帶來使用 A-B 反復功能。否則，該磁帶可能會損壞。

## 要停止錄音時

請按 ■ (或按遙控器上 ◀▶•■) 以停止錄音。

## 要減少錄製 AM 節目時的噪聲

請將 ISS (干擾抑制開關) 設定於能將噪聲減至最小的位置。

## 要監聽錄音中的聲音

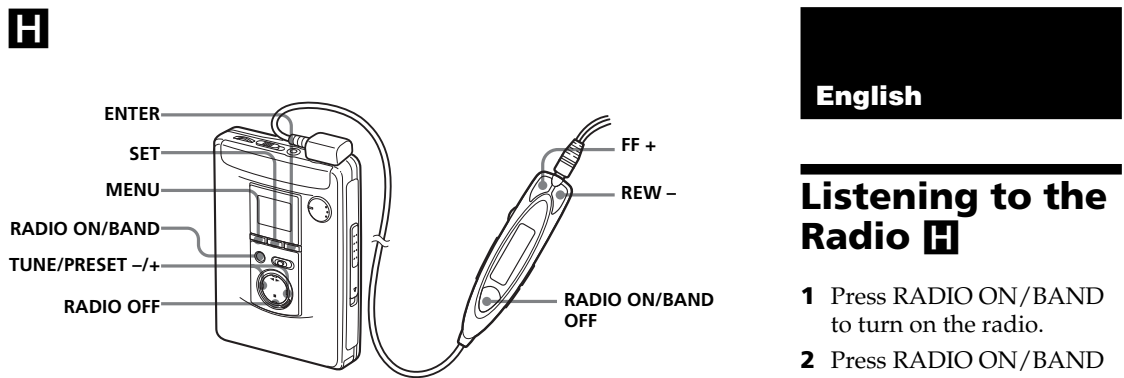
您可以用頭戴式耳機/耳機來監聽正在錄製的聲音。可用 VOL 控制旋鈕調節監聽的音量。

### 註

- 錄音電平被固定。
- 聲音增強功能 (RV、MB 或 GRV) 和 AVLS 設定不影響錄音。
- 實際的錄音將在您滑動 REC 按鈕約 2 秒鐘 (當錄音時間設為 "2X" 時為 3 秒鐘) 之後開始。請在您要開始錄音時刻的約 2 秒鐘 (當錄音時間設為 "2X" 時為 3 秒鐘) 之前滑動 REC 按鈕，否則您將錯過錄音的開始部分。
- 在兩面錄音時，在錄音帶換面過程中，錄音將有約 10 秒鐘不進行。
- 請勿用高位 (TYPE II) 或金屬 (TYPE IV) 型的錄音帶錄音。否則播放錄音帶時聲音可能會失真，也可能錄下噪聲。
- 用麥克風錄音時，請勿用麥克風靠近電燈線或日光燈，以避免噪音干擾。
- 如果發生嘶叫，請調低音量。
- 在錄音時所有其他操作都無法進行。要進行其他操作，請先停止錄音。

### 要防止錄音帶被誤錄時 G

請折斷 A 面和/或 B 面的



English

## Listening to the Radio

- Press RADIO ON/BAND to turn on the radio.
- Press RADIO ON/BAND repeatedly to select AM or FM.
- Press MENU on the main unit repeatedly and set the cursor in the display to TUNE MODE.

- Press SET to choose MANUAL.
- Press TUNE/PRESET + or - repeatedly to tune in to the desired station. Hold down TUNE/PRESET + or - for a few seconds to scan for stations.

- For preset tuning**
- Press SET to choose PRESET.
  - Press TUNE/PRESET + or - repeatedly to recall the desired preset station. To use preset tuning, preset stations first (see "Presetting Radio Stations").

- To turn off the radio**
- Press RADIO OFF.

### To improve the broadcast reception

- For AM:** Reorient the unit itself.
- For FM:** Extend the remote control cord (antenna). If the reception is still not good, press MENU repeatedly to set the cursor in the display to FM MODE. Then press SET to choose from "MONO" (monaural), "LOCAL" or none (stereo) for best reception.

- To operate on the remote control**
- To turn on the radio, press RADIO ON/BAND•OFF for more than 1 second (while the tape is in stop mode only). To select the band, press RADIO ON/BAND•OFF for more than 1 second while the radio is on. To tune in or recall a preset station, press FF + or REW -.
- To turn off the radio, press RADIO ON/BAND•OFF.

## Presetting Radio Stations

You can preset up to 30 stations—20 for FM and 10 for AM (for the J/Pn area), up to 16 stations—8 for FM and 8 for AM).

\* Only if available. See "Receiving Stations Outside Your Country/Region".

## Presetting Automatically Scanned Stations

- Press RADIO ON/BAND to turn on the radio.
- Press RADIO ON/BAND repeatedly to select AM or FM.
- Press MENU on the main unit repeatedly and set the cursor in the display and the main unit starts scanning the stations from the lower frequencies and stops for about 5 seconds when a station is received.

- If you wish to preset the currently received station, press ENTER while the preset number is flashing.
- The received station is preset on preset number 1 and the unit starts scanning for the next receivable station.
- Repeat step 4 until all receivable stations are preset.

### To stop scanning

- Press RADIO OFF. The radio is turned off at the same time.
- Notes**
- If stations are already stored, the newly preset stations replace the old ones when the above procedure is completed.
  - If stations cannot be preset automatically, preset them manually.

### Presetting Stations Manually

- Press RADIO ON/BAND to turn on the radio.
- Press RADIO ON/BAND repeatedly to select AM or FM.
- Press ENTER. The frequency digits will flash in the display.
- While the frequency digits are flashing, tune in to a station you wish to store using TUNE/PRESET + or - and press ENTER.

- While the preset number is flashing, select the preset number you want using TUNE/PRESET + or - and press ENTER.

#### Notes

- If you cannot complete step 4 or 5 while the indicators are flashing, repeat from step 3.
- If a station is already stored, the new station replaces the old one.

## Playing the Preset Radio Stations

- Press RADIO ON/BAND to turn on the radio.
- Press RADIO ON/BAND repeatedly to select AM or FM.
- Press MENU repeatedly to set the cursor in the display to TUNE MODE. Then press SET to display "PRESET".
- Press TUNE/PRESET + or -.

### To cancel a stored station

- Follow the procedure above and in step 4, select the preset number you want to cancel and then press ENTER. The frequency digits will flash in the display.
- Press and hold TUNE/PRESET + or - . The frequency digit starts running up or down. Keep holding down the button until "----" is displayed.
- Press ENTER while "----" is flashing. A preset number will flash in the display.
- Press ENTER to cancel the stored station.

## Scanning the Preset Radio Stations — DAPS (Digital Auto Preset Scanning)

- Press RADIO ON/BAND to turn on the radio.
- Press RADIO ON/BAND repeatedly to select AM or FM.
- Press and hold RADIO ON/BAND for 2 seconds or more.

The preset stations of the selected band will be played for about 5 seconds each. (During DAPS the indicators in the display flash.)

- Press RADIO ON/BAND again to select the station while the desired preset station is being played.
- Notes**
  - If there are no stations stored, the DAPS function does not work.
  - Until a station is selected in step 4, the DAPS function turned on in step 3 will continue.

## Receiving Stations Outside Your Country/Region (Excluding European, Saudi Arabian, and Chinese models)

- Press RADIO ON/BAND to turn on the radio.
- Press ENTER. The frequency digits will flash in the display.

- Press and hold RADIO ON/BAND until "Eur", "USA" or "J/Pn" flashes.

- Press RADIO ON/BAND repeatedly to select "Eur", "USA" or "J/Pn" and press ENTER.

- Tune in to and store stations as necessary following the procedure of "Listening to the Radio" and "Presetting Radio Stations".

### Area indication and frequency range

Area*	Frequency range FM (MHz)	AM(kHz)
Eur	87.5 - 108	531 - 1 602
USA	87.5 - 108	530 - 1 710
J/Pn	76.0 - 90.0	531 - 1 710

\* Eur : European and other countries/regions  
USA : USA, Canada, and Central and South America  
J/Pn: Japan

## Using the Menu

### Adjusting Playback Speeds

**On the main unit:** Press MENU repeatedly to set the cursor in the display to PB MODE. Then press SET to select the desired mode.

**On the remote control:** Press MODE repeatedly. With each press, the indications change.

### Locking the Controls — HOLD Function

Slide the HOLD switch in the direction of the arrow to lock the controls of the main unit (except SPEED CONTROL) or the remote control.

### Emphasizing Sound

- On the main unit:**
- Press MENU repeatedly to set the cursor in the display to SOUND.
  - Press SET repeatedly to select the sound emphasis of your choice.

**On the remote control:**

- Press SOUND repeatedly. With each press, the indications change.

The indications change as follows:

- RV : Sound Revitalizer
- Emphasizes treble sound.
- MB : Mega Bass
- Emphasizes bass sound (moderate effect).
- GRV : Groove
- Emphasizes bass sound (strong effect).
- no message : normal (no effect)

#### Notes

- If the sound is distorted with the mode "GRV", turn down the volume of the main unit or select other modes.

- Press RADIO ON/BAND to turn on the radio.
- Press ENTER. The frequency digits will flash in the display.

## Protecting Your Hearing — AVLS (Automatic Volume Limiter System)

The maximum volume is kept down to protect your ears.

**On the main unit:** Press MENU repeatedly in the playback, stop or radio mode to set the cursor in the display to AVLS. Then press SET to show "AVLS".

**On the remote control:** Hold down MODE for more than 10 seconds until "AVLS" appears in the display.

### To cancel the AVLS function

Press SET so that "AVLS" disappears from the display on the main unit. On the remote control, hold down MODE again for more than 3 seconds until "AVLS" disappears.

## Using Other Functions

### Adjusting the Tape Playback Speed

You can adjust the playback speed using SPEED CONTROL. Turn SPEED CONTROL to: - (slow) to play back at a slower speed. Center position to play back at normal speed. + (fast) to play back at a faster speed.

**Note**

The SPEED CONTROL works in the playback mode only. Recording will be made independent of this control.

**To play**

Play	Select
both sides repeatedly	↔
both sides once	↔
from the FWD side	→

### Using the Tape Counter

The tape counter is displayed on the main unit during playback, recording, fast forward, rewind, CUE, REVIEW and stop (except when the radio is turned on). The number will increase when playing back the FWD side, and decrease when playing back the REV side. To reset the counter to "000", press ENTER/COUNTER RESET.

#### Notes

- The tape counter will show some deviation.
- The tape counter will not be displayed when the cassette compartment is empty.

## Precautions

### On charging

- The supplied charging stand can be used only with this unit. No other model can be charged using this stand.
- Remove the AC power adaptor from the wall outlet as soon as possible after the rechargeable battery has been charged. Overcharging may damage the rechargeable battery.

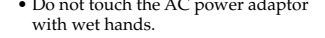
- The charging stand and the rechargeable battery may become warm during charging, but this is not a problem.
- Do not tear off the film on the rechargeable battery.
- Use only the supplied charging stand to charge the supplied rechargeable battery.
- Be sure not to short-circuit the battery. When you carry it with you, use the supplied carrying case. If you are not using the case, do not carry the battery with other metallic objects such as keys, rings in your pocket.
- If the rechargeable battery is new or has not been used for a long time, it may not be charged completely until you use it several times.

### On batteries

- Do not charge a dry battery.
- Do not carry the dry or rechargeable batteries with coins or other metallic objects. It can generate heat if the positive and negative terminals of the batteries are accidentally contacted by a metallic object.
- When you do not use the main unit for a long time, remove the battery to avoid any damage caused by battery leakage and subsequent corrosion.

### On AC power adaptor

- Use only the supplied AC power adaptor (for charging stand) and recommended AC power adaptor (for battery case). Do not use any other AC power adaptor.



- Connect the AC power adaptor to an easily accessible AC outlet. Should you notice an abnormality in the AC power adaptor, disconnect it from the AC outlet immediately.
- Do not touch the AC power adaptor with wet hands.

### On handling

- Do not leave the unit in a location near heat sources, or in a place subject to direct sunlight, excessive dust or sand, moisture, rain, mechanical shock, or in a car with its windows closed.
- We do not recommend the use of tape longer than 90 minutes. They are very thin and tend to be stretched easily. This may cause malfunction of the unit or sound deterioration.
- The LCD display may become hard to see or slow down when using the unit at high temperatures (above 40°C/104°F) or at low temperatures (below 0°C/32°F). At room temperature, the display will return to its normal operating condition.
- If the unit has not been used for long, set it in the playback mode to warm up for a few minutes before you start using again.

### On the remote control

Use the supplied remote control only with this unit.

### On headphones/earphones

**Road safety**

Do not use headphones/earphones while driving, cycling, or operating any motorized vehicle. It may create a traffic hazard and is illegal in some areas. It can also be potentially dangerous to play your headphones/earphones at high volume while walking, especially at pedestrian crossings. You should exercise extreme caution or discontinue use in potentially hazardous situations.

### Preventing hearing damage

Do not use headphones/earphones at high volume. Hearing experts advise against continuous, loud and extended play. If you experience a ringing in your ears, reduce volume or discontinue use.

**Caring for others**

Keep the volume to a moderate level. This will allow you to hear outside sounds and to be considerate to the people around you.

## On maintenance

- Clean the tape head and tape path, using a cotton swab and commercially available cleaning solvent after every 10 hours of use.
- To clean the exterior, use a soft cloth slightly moistened in water. Do not use alcohol, benzene or thinner.
- Clean the headphones/earphones and remote control plugs periodically.
- Clean the battery case terminals (both inside and outside) and the terminals periodically with a cotton swab or soft cloth as illustrated.

## Troubleshooting

**The sound drops out or comes with excessive noise.**

- Clean the headphones/earphones and remote control plugs.

**The unit does not operate at all.**

- Charge the battery or replace the dry battery with a new one.
- HOLD is activated. Deactivate HOLD.

**Tape operation is not possible.**

- Insert a cassette tape.

**The volume cannot be turned up.**

- If AVLS is on, turn it off.

**A beep sounds and recording is not possible when REC is slid.**

- If the tab of the tape is broken off, cover the tab hole with adhesive tape.

**The display and the operations are not normal.**

- Remove the power sources for 15 seconds or more, and then set them again.

**The radio and playback operates but recording is not possible.**

- This condition may occur when the battery becomes weak. Replace or charge the battery.

## Specifications

**Radio section**

**Frequency range**

FM: 76.0–90.0 MHz (Japan)  
87.5–108 MHz (other countries/regions)

AM: 531–1 710 kHz (Japan)  
530–1 710 kHz (North, Central, and South America)  
531–1 602 kHz (other countries/regions)

**Tape section**

**Frequency response**

Playback: 40–15 000 Hz  
Recording/playback: 100–8 000 Hz

**Output**

Headphones (🎧) jack  
Load impedance 8–300 Ω

**Input**

Microphone (MIC) jack

**General**

**Power requirements**

1.5 V  
Rechargeable battery  
One R6 (size AA) battery

**Dimensions (w/h/d)**

Approx. 77.1 x 108.0 x 22.5 mm  
(3¼ x 4¼ x ¾ inches) excl. projecting parts and controls

**Mass**

Approx. 152 g (5.4 oz) (main unit only)

**Supplied accessories**

AC power adaptor (1), Battery case (1)  
Stereo headphones or earphones with remote control (1), Charging stand (1)  
AC plug adaptor (1) (Saudi Arabian model only)  
Rechargeable battery (NH-14WM(A), 1.2 V, 1 350 mAh (min), Ni-MH) (1)  
Rechargeable battery carrying case (1)  
Carrying pouch (1)  
Stereo microphone (1)

Design and specifications are subject to change without notice.

## 中文

## 聽收音機

- 按 RADIO ON/BAND 打開收音機。
- 反復按 RADIO ON/BAND 選擇 AM 或 FM。
- 反復按主機上的 MENU，將顯示窗中的游標設為 TUNE MODE。
- 要手動調臺時
  - 按 SET 選擇 MANUAL。
  - 反復按 TUNE/PRESET + 或 - 調入所要的電臺。

按 TUNE/PRESET + 或 - 數秒以掃描電台。

**要預設電臺時**

- 按 SET 選擇 PRESET。
- 反復按 TUNE/PRESET + 或 - 選出所要的預設電臺。要使用預設調諧時，請先預設電臺（參見“預設電臺”）。

### 要關掉收音機時

按 RADIO OFF 鍵。

### 要改善廣播接收效果時

- 收聽 AM 節目時：調轉轉器方位。
- 收聽 FM 節目時：請拉長遙控器導線（天線）。如果接收效果仍不好，請反復按 MENU 將主機顯示窗中的游標設為 FM MODE。然後按 SET 使 "MONO"（單耳聲）、"LOCAL" 或無（立體聲）方式中進行選擇以獲最佳接收效果。

### 要從遙控器進行操作時

- 要打開發音機時，請按 RADIO ON/BAND•OFF 1 秒以上（限當錄音帶處於停止狀態時）。
- 要選擇波段時，請在打開發音機時，按下 RADIO ON/BAND•OFF 1 秒以上。
- 要調入或選出預設電臺時，按 FF + 或 REW -。
- 要關掉收音機時，請按 RADIO ON/BAND•OFF。

### 播放預設電臺

- 按 RADIO ON/BAND 打開收音機。
- 反復按 RADIO ON/BAND 選擇 AM 或 FM。
- 反復按 MENU，將顯示窗中的游標設定於 TUNE MODE。然後按 SET 以顯示 "PRESET"。
- 按 TUNE/PRESET + 或 -。

**要取消所儲存的電臺時**

- 按照上述方法而在步驟4裡選擇所要取消的預設號，然後按 ENTER。顯示窗中即閃爍著頻率數字。
- 按住 TUNE/PRESET + 或 -。頻率數開始增大或減小。按住該按鈕至顯示了 "----"。
- 當閃爍著 "----" 時按 ENTER。顯示窗中即閃爍著預設號。
- 按 ENTER 以取消儲存的電臺。

### 自動地預設掃描的電臺

- 按 RADIO ON/BAND 打開收音機。
- 反復按 RADIO ON/BAND 選擇 AM 或 FM。
- 按 ENTER 3 秒鐘以上。

預設號 1 將在顯示屏上閃爍。主機開始從低頻段掃描電臺，在接收到電臺時停止約 5 秒鐘。

## 掃描預設電臺 — DAPS (Digital Auto Preset Scanning)

- 按 RADIO ON/BAND 打開收音機。
- 反復按 RADIO ON/BAND 選擇 AM 或 FM。
- 按住 RADIO ON/BAND 兩秒以上。

所選波段的預設電臺即各播放大約 5 秒。（在 DAPS 當中，顯示窗中將閃爍著指示燈。）

- 當播放著所要預設電臺時，再按一次 RADIO ON/BAND 以選擇電臺。

### 註

- 如果沒儲存電臺，DAPS 功能將不起作用。
- 步驟 3 裡的 DAPS 功能將繼續打開著一直到在步驟 4 裡已選擇了電臺為止。

- 按 RADIO ON/BAND 打開收音機。
- 反復按 RADIO ON/BAND 選擇 AM 或 FM。
- 按 ENTER。顯示窗中即閃爍著頻率數字。
- 當頻率數字閃爍時，請用 TUNE/PRESET + 或 - 鈕調入您想儲存的電臺，按 ENTER。
- 當預設號閃爍著時，請用 TUNE/PRESET + 或 - 選擇所要預設號並按 ENTER。

**註**

- 如果上述指示信號時您不能完成步驟 4 或步驟 5，請從步驟 3 開始重複操作。
- 如果已儲存有電臺，新電臺即將取代原有的電臺。

### 地區指示和頻率範圍

地區*	頻率範圍 FM(MHz)	AM(kHz)
Eur	87.5 - 108	531 - 1 602
USA	87.5 - 108	530 - 1 710
J/Pn	76.0 - 90.0	531 - 1 710

\* Eur : 歐洲和其他國家/地區  
USA : 美國、加拿大和中南美  
J/Pn: 日本

## 預設電臺

- 您可以預設多達 30 個電臺—20 個 FM 臺，10 個 AM 臺。（在 J/Pn 地區，最多可以預設 16 個臺 8 個 FM 臺，8 個 AM 臺）。
- 如果以預設，請參見“接收別的国家/地區的電臺”。
- 按 RADIO ON/BAND 打開收音機。
  - 反復按 RADIO ON/BAND 選擇 AM 或 FM。
  - 按 ENTER 3 秒鐘以上。

預設號 1 將在顯示屏上閃爍。主機開始從低頻段掃描電臺，在接收到電臺時停止約 5 秒鐘。

## 掃描預設電臺 — DAPS (Digital Auto Preset Scanning)

- 按 RADIO ON/BAND 打開收音機。
- 反復按 RADIO ON/BAND 選擇 AM 或 FM。
- 按住 RADIO ON/BAND 兩秒以上。

所選波段的預設電臺即各播放大約 5 秒。（在 DAPS 當中，顯示窗中將閃爍著指示燈。）

- 當播放著所要預設電臺時，再按一次 RADIO ON/BAND 以選擇電臺。

### 註

- 如果沒儲存電臺，DAPS 功能將不起作用。
- 步驟 3 裡的 DAPS 功能將繼續打開著一直到在步驟 4 裡已選擇了電臺為止。

- 按 RADIO ON/BAND 打開收音機。
- 反復按 RADIO ON/BAND 選擇 AM 或 FM。
- 按 ENTER。顯示窗中即閃爍著頻率數字。
- 當頻率數字閃爍時，請用 TUNE/PRESET + 或 - 鈕調入您想儲存的電臺，按 ENTER。
- 當預設號閃爍著時，請用 TUNE/PRESET + 或 - 選擇所要預設號並按 ENTER。

**註**

- 如果上述指示信號時您不能完成步驟 4 或步驟 5，請從步驟 3 開始重複操作。
- 如果已儲存有電臺，新電臺即將取代原有的電臺。

### 地區指示和頻率範圍

地區*	頻率範圍 FM(MHz)	AM(kHz)
Eur	87.5 - 108	531 - 1 602
USA	87.5 - 108	530 - 1 710
J/Pn	76.0 - 90.0	531 - 1 710

\* Eur : 歐洲和其他國家/地區  
USA : 美國、加拿大和中南美  
J/Pn: 日本

## 預設電臺

- 您可以預設多達 30 個電臺—20 個 FM 臺，10 個 AM 臺。（在 J/Pn 地區，最多可以預設 16 個臺 8 個 FM 臺，8 個 AM 臺）。
- 如果以預設，請參見“接收別的国家/地區的電臺”。
- 按 RADIO ON/BAND 打開收音機。
  - 反復按 RADIO ON/BAND 選擇 AM 或 FM。
  - 按 ENTER 3 秒鐘以上。

預設號 1 將在顯示屏上閃爍。主機開始從低頻段掃描電臺，在接收到電臺時停止約 5 秒鐘。

## 增強聲音

在主機上：

- 反復按 MENU 把顯示窗中的游標設定於 SOUND。
- 反復按 SET 以選擇所喜歡的聲音模式。

**在遙控器上：**

- 反復按 SOUND，每按一下，指示燈改變。

指示燈改變如下：

- RV : Sound Revitalizer (聲音再生器)。
- MB : Mega Bass (強低音)。
- GRV : Groove (中等效果)。
- 無高低音 (強烈效果)。
- 無信息：普通（無效果）。

**註**

- "GRV" 模式時，如果聲音失真了，即請轉小主機音量或選其他模式。

### 保護您的聽覺 — AVLS (自動音量限制系統)

限制最大音量以保護聽力。

**在主機上：**

- 在播放、停止或收音模式中，反復按 MENU 把顯示窗中的游標設為 AVLS。然後按 SET 顯示 "AVLS"。

**在遙控器上：**

- 按住 MODE 10 秒以上，直到顯示窗中出現 "AVLS"。

**要取消 AVLS 功能**

按 SET 使 "AVLS" 從主機顯示窗中消失。

在遙控器上，再次按住 MODE 3 秒以上，直到 "AVLS" 消失。

## 利用其他功能

### 調節磁帶播放速度

可以使用 SPEED CONTROL 調節播放速度。轉動 SPEED CONTROL 到：

- (慢) 以較慢的速度播放。
- 中央位置以正常速度播放。
- + (快) 以較快的速度播放。

本機限使用附帶的遙控器。

### 頭戴耳機／耳機須知

請勿在駕車、騎車或操縱任何機動車輛時使用頭戴耳機／耳機，否則可能導致交通事故。有些地區是違法的。即使在步行時，特別是在過馬路時，高音量地使用頭戴耳機／耳機也會有潛在的危險。在可能有危險的情況下，必須非常小心或暫停使用。

### 鎖定制器器 — HOLD 功能

按箭頭方向滑動 HOLD 開關以鎖定主機 (SPEED CONTROL 除外) 或遙控器控制鈕。

### 要利用磁帶計數器時