

Adjusting the audio emphasis

Reinforcing the bass sound

Press MAXI BASS.

To return to normal sound, press the button again.

Using the SOUND SELECT

Turn the SOUND SELECT dial until the indicator of the audio emphasis you want lights up.

Select	To
FLAT	get the whole dynamic range audio.
GROOVE	get powerful, clear sounds emphasizing low and high range audio.
LIVE	enjoy the live presence sound.
POP	get light, bright sounds emphasizing high and middle range audio.
CINEMA	widen the sound field for the sound such as monaural sound source.

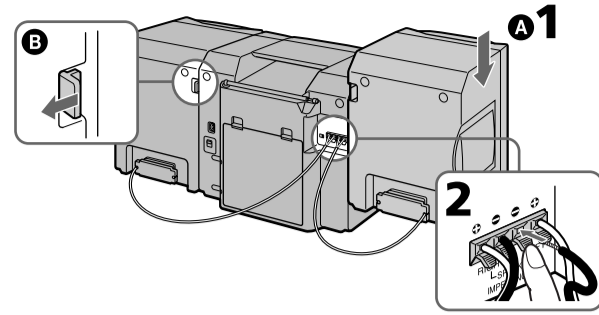
Note

If no indicator lights up, you cannot hear the sound properly.

Setting up the system

Connecting the Speakers

Make sure you turn off the power before making connections.



1 Align the grooves and slide the speaker box down until it snaps into place **1**.

2 Connect the black wires to (-) minus and the red wires to (+) plus terminals: the right speaker wires to the RIGHT, and the left speaker wires to the LEFT terminals.

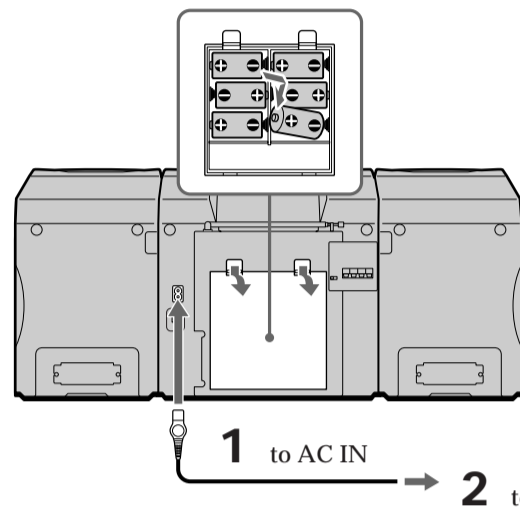
Tip

To detach the speakers, unlock the speaker **1** and slide the speaker box all the way up and away from the player.

Choosing Power Sources

To use the player on AC power source

Connect the supplied AC power cord to the AC IN jack.

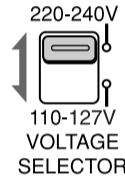


To use the player on batteries

Insert six R20 (size D) batteries (not supplied) into the battery compartment.

To adjust the voltage

Be sure to set the VOLTAGE SELECTOR (at the rear) to your local power supply.



Tip

For customers supplied with an AC plug adaptor, use it if the plug of the AC power cord does not match your AC outlet.

Notes

- To use the player on batteries, disconnect the AC power cord from the player.
- Replace the batteries when the OPR/BATT indicator dims or when the player stops operating. Replace all batteries with new ones.
- When you use the DC IN 12V jack, do not connect a power cord to the cigarette lighter socket.

SONY

Radio Cassette-Corder

Operating Instructions

تعليمات التشغيل
(الوجه المعاكس)

CFS-828S

Sony Corporation © 2001

3-236-427-14(1)

WARNING

To prevent fire or shock hazard, do not expose the player to rain or moisture.
To avoid electrical shock, do not open the cabinet. Refer servicing to qualified personnel only.

Do not install the appliance in a confined space, such as a bookcase or built-in cabinet.

To prevent fire or shock hazard, do not place objects filled with liquids, such as vases, on the appliance.

The FUNCTION selector is located at the front.
When you turn on the player, the OPR/BATT indicator lights up.

Precautions

On safety/power sources

- Should any solid object or liquid fall into the player, unplug the player, and have it checked by qualified personnel before operating it any further.
- For AC operation, check that the player's operating voltage is identical with your local power supply (see "Specifications") and use the supplied AC power cord; do not use any other type. The voltage selector is located on the rear of the player.
- The player is not disconnected from the AC power source (mains) as long as it is connected to the wall outlet, even if the player itself has been turned off.
- For battery operation, use six R20 (size D) batteries.
- When the batteries are not to be used, remove them to avoid damage that can be caused by battery leakage or corrosion.
- The nameplate indicating operating voltage, power consumption, etc. is located at the rear.

On placement/operation

- Do not leave the player in a location near heat sources, or in a place subject to direct sunlight, excessive dust or mechanical shock.
- Do not place anything within 10 mm of the side of the cabinet. The ventilation holes must be unobstructed for the player to operate properly and to prolong the life of its components.
- Since a strong magnet is used for the speakers, keep personal credit cards using magnetic coding or spring-wound watches away from the player to prevent possible damage from the magnet.
- If the player has not been used for a long time, set it in the playback mode to warm it up for a few minutes before inserting a cassette.

If you have questions or problems concerning your player, please consult your nearest Sony dealer.

<http://www.sony.net/>

Troubleshooting

There is no audio.

- Connect the AC power cord securely.
- Insert the batteries properly.
- Replace all batteries if they are weak.
- Connect the speaker wires securely.
- Unplug the headphones.
- Adjust the volume.
- Set FUNCTION to the position you want to operate.

Noise is heard.

- Someone is using a portable telephone or other equipment that emits radio waves near the player. Move the portable telephone, etc., away from the player.

Cassette cannot be inserted.

- Insert the cassette properly.

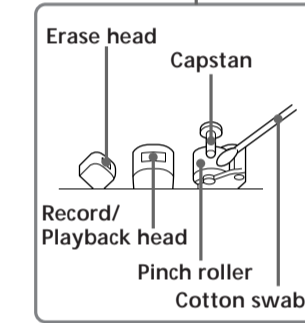
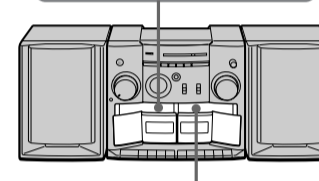
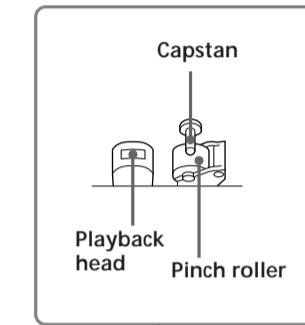
The REC button does not function.

- No cassette is in deck B.
- Make sure the safety tab on the cassette is in place.

Poor playback, recording or erasing quality.

- Dirty heads. Clean the unit (as shown) with a cotton swab slightly moistened with cleaning fluid or alcohol.
- Demagnetize the heads and all metal parts in the tape path with a commercially available tape head demagnetizer.

Deck A



Deck B

Specifications

Frequency range

FM: Saudi Arabia: 87.5-107 MHz/
Other countries: 87.5-108 MHz
MW: Saudi Arabia: 530-1 605 kHz/
Other countries: 530-1 611 kHz

SW1: 2.3-7 MHz
SW2: 7-22 MHz

IF: 10.7 MHz

MW/SW: 455 kHz

Antennas: FM/SW: Telescope
MW: Built-in ferrite bar

Recording system: 4-track, 2-channel stereo

Frequency response: 80-12 500 Hz

Speakers: Full range: 10 cm (4 inches) dia., 6 Ω, cone type/Tweeter: 2 cm (3/16 inches) dia.

Output: Headphones jack (stereo minijack), for 16-68 Ω impedance headphones

Maximum Power output: 9W

Battery life: FM Recording: Sony R20P: Approx. 9 hours/Sony LR20 alkaline: Approx. 23 hours

Playback: Sony R20P: Approx. 3 hours/Sony LR20 alkaline: Approx. 8 hours

Power requirements

110-127 V / 220-240 V AC selectable, 50/60 Hz
9V DC, six R20 (size D) batteries

Power consumption

AC 18 W

Dimensions

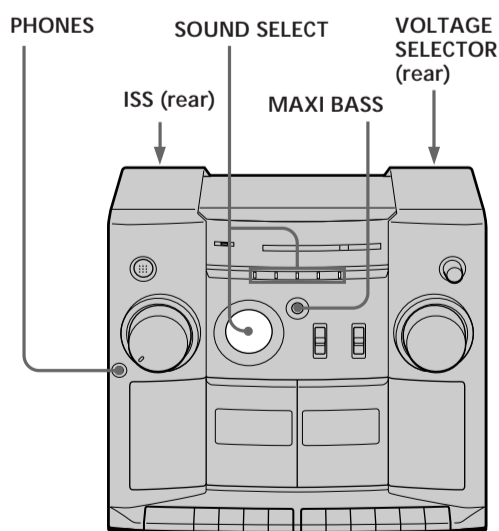
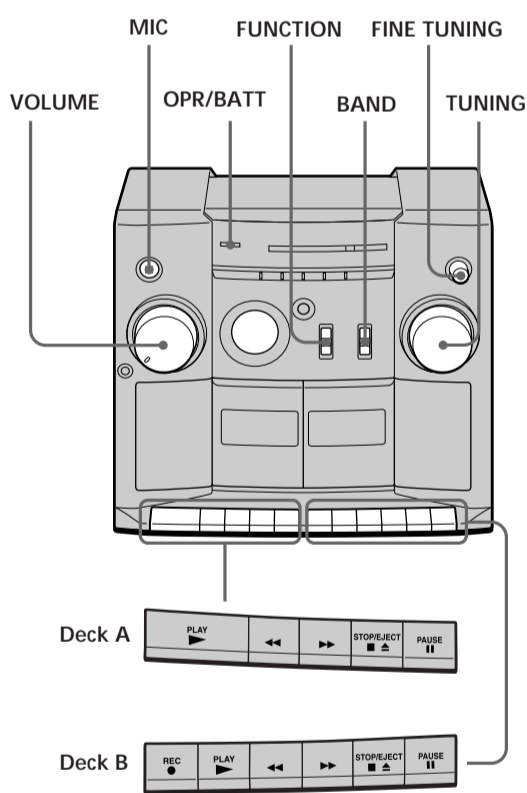
Approx. 679 x 263.5 x 239.5 mm (w/h/d) (26 3/8 x 10 3/8 x 9 3/8 inches) incl. projecting parts and controls, not incl. handle

Mass

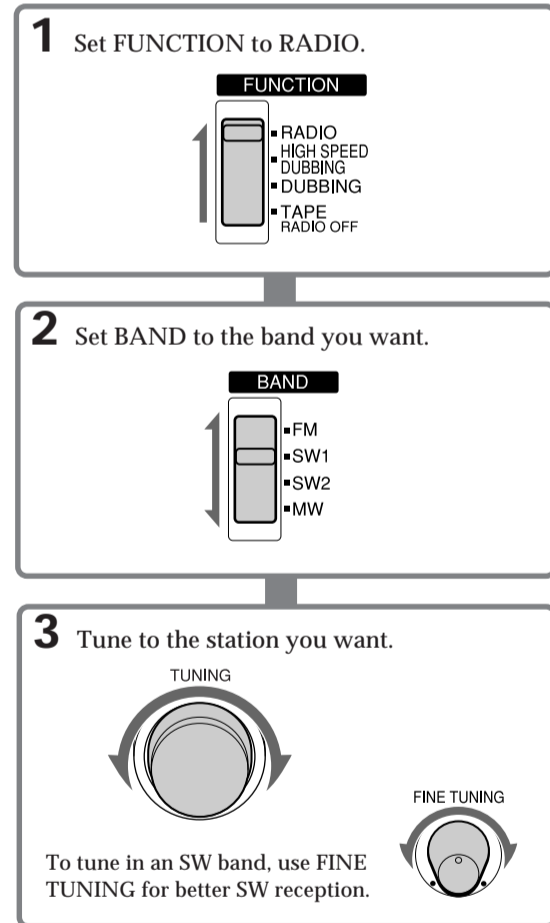
Approx. 7.3 kg (16 lb 1 oz) incl. batteries
Supplied accessory: AC power cord (1)

Design and specifications are subject to change without notice.

Location of controls



Listening to the radio

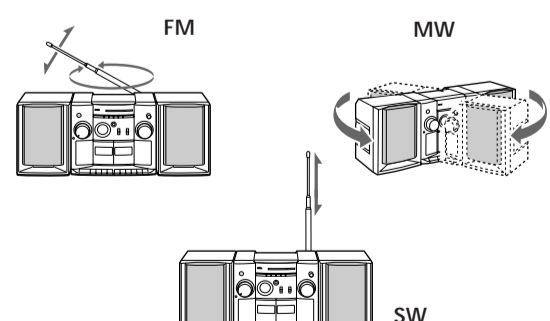


To turn off the radio

Set FUNCTION to TAPE/RADIO OFF.

To improve broadcast reception

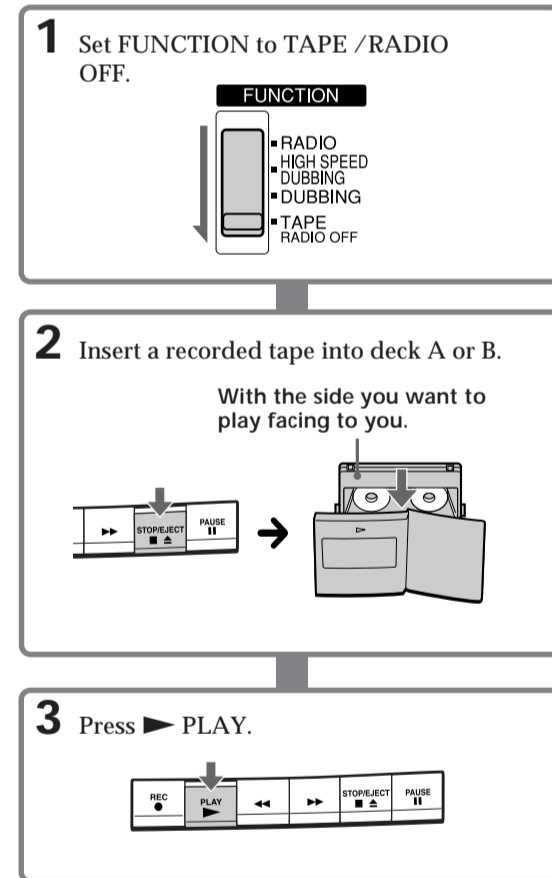
Reorient the antenna for FM. Reorient the player itself for MW. For SW, pull the antenna vertically.



Tips

- To listen through headphones, connect the headphones to the PHONES jack.
- For best results, move the player away from a TV.

Playing a tape



To	Press
stop playback	STOP/EJECT
fast-forward or rewind the tape	FF or RR
pause playback	PAUSE

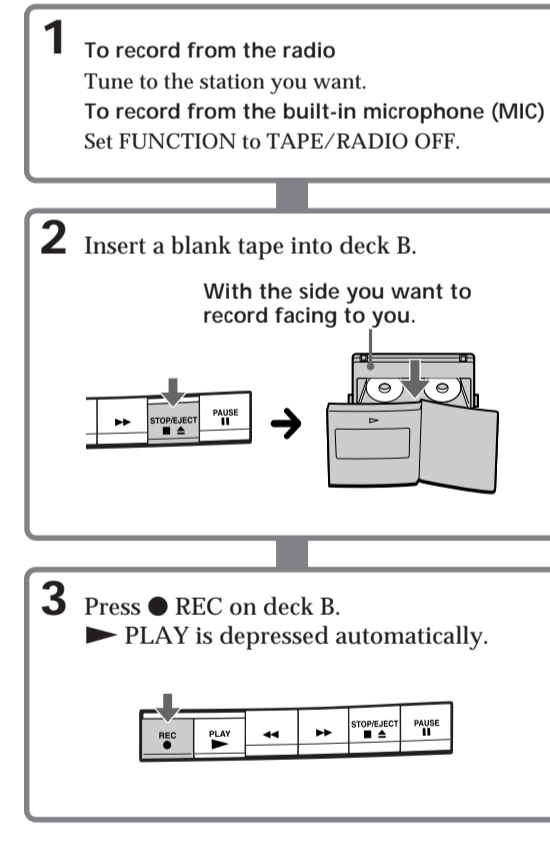
Tip

When you play both decks, you will hear only deck B.

Note

Do not press FF, RR or PLAY on the other deck during playback as this causes excessive wow and flutter.

Recording (deck B)



To	Press
stop recording	STOP/EJECT on deck B
pause recording	PAUSE on deck B

Tips

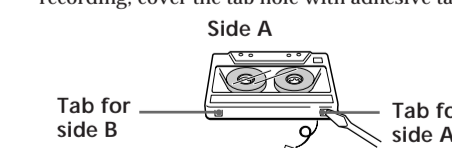
- For best results, use the AC power source.
- Adjusting the volume or the audio emphasis will not affect the recording level.
- If the MW program makes a whistling sound, set ISS (Interference Suppress Switch) (at the rear) to the position that more decreases the noise.

Notes

- While recording from the built-in microphone (MIC), you cannot monitor the sound through the headphones.
- Do not press FF, RR or PLAY on deck A during recording as this causes excessive wow and flutter.

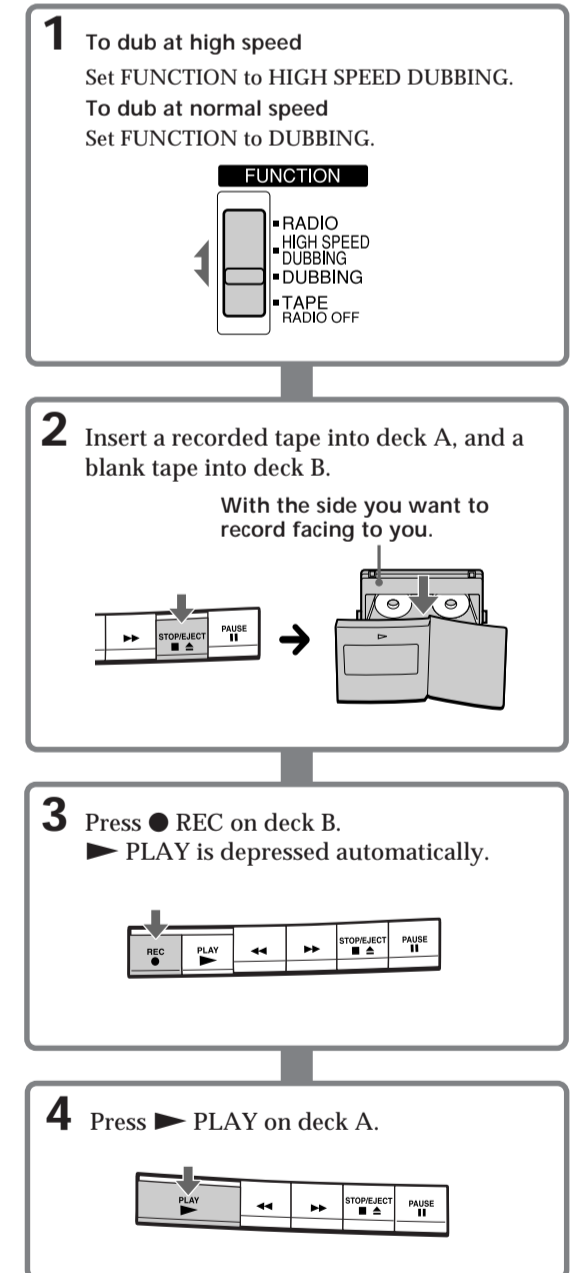
Notes on cassettes

- Break off the cassette tab from side A or B to prevent accidental recording. If you want to reuse the tape for recording, cover the tab hole with adhesive tape.



- The use of cassettes with more than 90 minutes of play time is not recommended except for long, continuous recording or playback.

Dubbing (deck A to B)



To stop dubbing

Press STOP/EJECT on deck A and B.

Tips

- For best results, use the AC power source.
- Do not set the FUNCTION during dubbing as this causes excessive wow and flutter.
- Adjusting the volume or the audio emphasis will not affect the recording level.

