

Portable MiniDisc Player

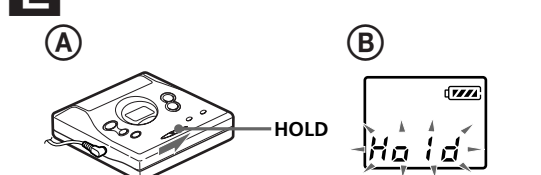
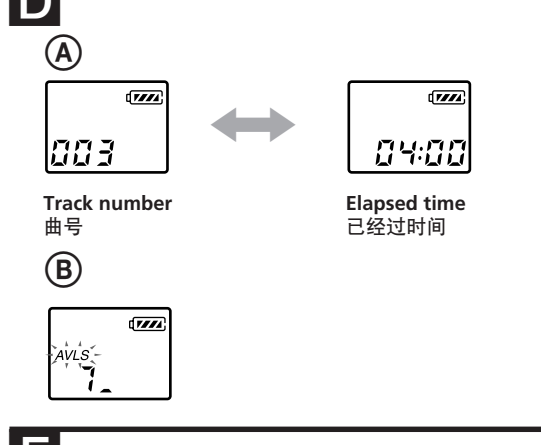
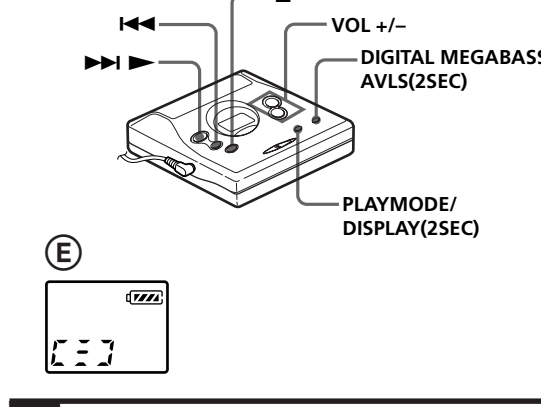
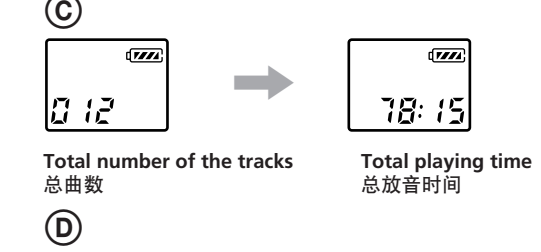
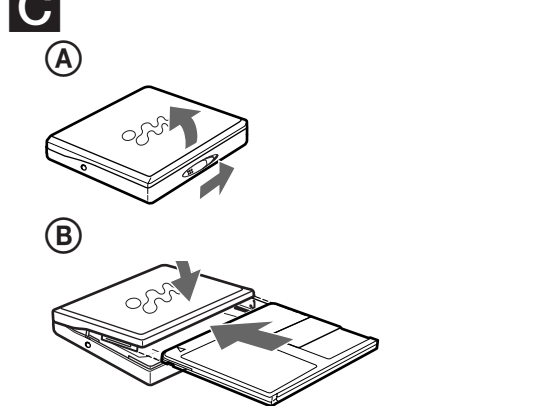
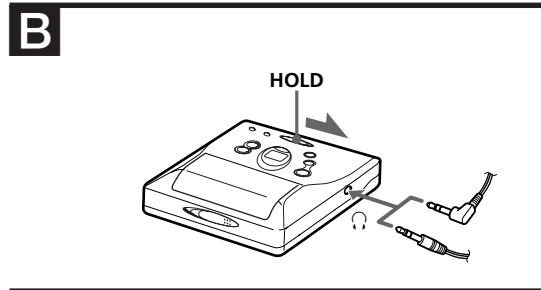
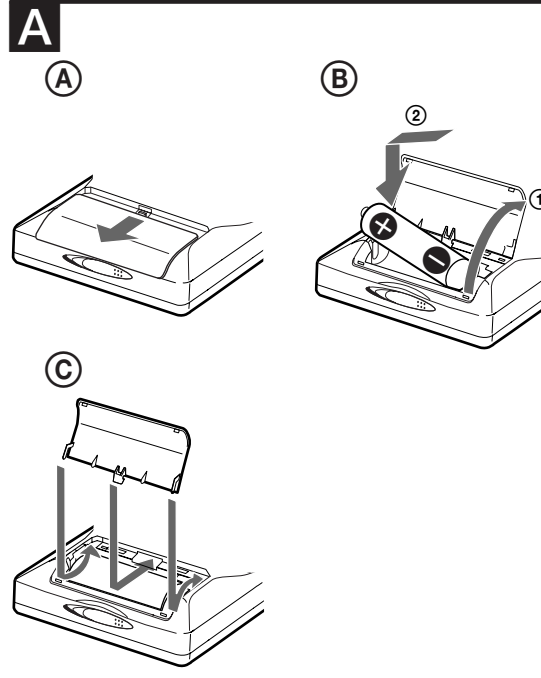
Operating instructions
使用说明书
Instrukcje obsługi
Návod k obsluhu



"WALKMAN" is a trademark of Sony Corporation.
"WALKMAN" 是 "Sony" 公司的商标。
"WALKMAN" jest znakiem towarowym Sony Corporation.
"WALKMAN" je ochranná značka firmy Sony.

MZ-E300

Sony Corporation © 2000 Printed in Japan



Caution

The use of optical instruments with this product will increase eye hazard.

Listening for many hours at maximum volume may damage your hearing.

CAUTION — INVISIBLE LASER RADIATION WHEN OPEN DO NOT STARE INTO BEAM OR VIEW DIRECTLY WITH OPTICAL INSTRUMENTS

Information
IN NO EVENT SHALL SELLER BE LIABLE FOR ANY DIRECT, INCIDENTAL OR CONSEQUENTIAL DAMAGES OF ANY NATURE, OR LOSSES OR EXPENSES RESULTING FROM ANY DEFECTIVE PRODUCT OR THE USE OF ANY PRODUCT.

Certain countries may regulate disposal of the battery used to power this product. Please consult with your local authority.

Getting started

Preparing a power source (See Fig. A)

Insert one LR6 (size AA) battery with correct polarity. Be sure to insert the battery (minus) end first. (See Fig. A-②)

When to replace the battery

- Battery power decreasing
- Weak battery
- The battery has gone out. "Lo" flashes in the display, and the power goes off. Replace it with a new one.

| Battery life (EIAJ*) | Playback |
|---|------------------|
| LR6 (SG) Sony Alkaline dry battery ^① | Approx. 33 hours |

^① Measured in accordance with the EIAJ (Electronic Industries Association of Japan) standard (using a Sony MDW-series Mini-disc).
^② When using a Sony LR6 (SG) "STAMINA" alkaline dry battery (produced in Japan).

Note
The effective battery life may be shorter than that indicated above, depending on operating conditions, the surrounding temperature, and the battery type.

To attach the battery compartment lid

Attach the battery compartment lid as shown in Fig. A-③.

To connect the headphones/earphones (See Fig.B)

1 Connect the supplied headphones/earphones to ① jack. Slide HOLD in the direction of the arrow shown in the illustration to release the hold function.

MD playing

Playing an MD (See Fig.C)

- Insert an MD.
 - Slide OPEN. (See Fig. C-①)
 - Insert the MD with the label side facing up, and press the lid down to close. (See Fig. C-②)

The total number of the tracks and the total playing time appear in the display (See Fig. C-③).
- Play the MD. (See Fig. C-④)
 - Press ►►► or ◀◀◀.
 - Press VOL +/- to adjust the volume. The volume level changes from 0 to 10, with three levels for each number except for 0 and 10. (Example: 2, 2, 2)

There are a total of 32 volume levels.

| To | Do this |
|---|--------------------------------|
| Stop | Press ■ (See Fig. C-⑤). |
| Find the beginning of the current track | Press ◀◀◀ once. |
| Listen to the beginning of the previous track | Press ◀◀◀ repeatedly. |
| Listen to the beginning of the next track | Press ►►► once. |
| Go backwards while playing | Hold down ◀◀◀. |
| Go forward while playing | Hold down ►►►. |
| Remove the MD | Press ■, and then slide OPEN.* |

* Once you open the lid, the point to start playback changes to the beginning of the first track.

Notes

- When removing the disc, make sure to press ■ first, and then slide OPEN.
- When a blank MD or no MD is inserted in the player, "ⓁⓂ" flashes on the display in the player.

Various ways of playback

Playing tracks repeatedly

You can play tracks repeatedly in three ways — all repeat, single repeat, and shuffle repeat.

- Press PLAYMODE/DISPLAY(2SEC) repeatedly to select one of the three play modes, as follows.

| Display | Play mode |
|---------------------------|---|
| (none) (normal play) | All the tracks are played once. |
| "C" (all repeat) | All the tracks are played repeatedly. |
| "C 1" (single repeat) | A single track is played repeatedly. |
| "C SHUF" (shuffle repeat) | All the tracks are played repeatedly in random order. |

To know the track number and playing time (See Fig.D-④)

During playback, you can check the track number and the elapsed time of the current track.

1 Press DISPLAY(2SEC) for 2 seconds or more.

To emphasize bass (DIGITAL MEGABASS)

The DIGITAL MEGABASS function intensifies low frequency sound for richer quality audio reproduction.

- Press DIGITAL MEGABASS repeatedly. Each time you press DIGITAL MEGABASS, the indication in the display changes as follows:

| Display indication | Effect |
|--------------------|--|
| (none) | No effect |
| BASS ◄ | Bass sound is emphasized. (moderate level) |
| BASS ◄◄ | Bass sound is emphasized. (strong level) |

Notes

- If the sound becomes distorted when emphasizing bass, turn down the volume.
- The DIGITAL MEGABASS function does not operate when the AVLS function is on (See "To protect your hearing").

To protect your hearing (AVLS) (See Fig. D-⑥)

1 Press AVLS(2SEC) (Automatic Volume Limiter System) for 2 seconds or more.
"AVLS" appears in the display. The volume is kept at a moderate level, even if you try to turn the volume above the limit ("1, 1"). "AVLS" flashes when the volume level exceeds the limit.

To cancel the AVLS function

Press AVLS(2SEC) for 2 seconds or more to cause "AVLS" to disappear from the display.

To lock the controls (HOLD) (See Fig. E)

1 Slide HOLD in the direction of the ► to lock the controls (See Fig. E-④).
If you press any of the operation buttons, "No id" flashes in the display (See Fig. E-⑤).

To unlock the controls

Slide HOLD in the opposite direction to the arrow shown in the illustration to unlock the controls.

Additional information

Precautions

- On safety**
 - Do not carry or store the dry battery in the same place with metallic objects such as coins, key rings, or necklaces. This may cause a short-circuit to occur and the generation of heat.
 - Incorret battery usage may lead to leakage of battery fluid or bursting batteries. To prevent such accidents, observe the following precautions:
 - Install batteries with the + and - poles aligned correctly.
 - When the player is not to be used for long time, be sure to remove the battery.
 - If a battery leak should develop, carefully and thoroughly wipe away battery fluid from the battery compartment before inserting new one.
- Handling**
 - Do not drop or give a bump the player. This may cause the player to malfunction.
 - Do not pull the headphones/earphones cords.
 - Do not place the player in the following places:
 - An extremely hot place (over 60°C (140°F))
 - A place exposed to direct sunlight or near a heater
 - In a car with the windows rolled up (especially in the summer)
 - In a damp place such as a bathroom
 - Near a source of electromagnetic fields such as a magnet, speaker, or TV
 - In a dusty place
 - If you experience an allergic reaction to the supplied headphones/earphones, stop using them at once and consult a doctor or a Sony service center.
- On heat build-up**
Heat may build up in the player if it is used for an extended period of time. This, however, is not a malfunction.
- On mechanical noise**
The player gives out mechanical noise while operating, which is caused by the power-saving system of the player. This is not a malfunction.
- On installation**
Never use the player where it will be subjected to extremes of light, temperature, moisture or vibration.
- On the headphones/earphones Road safety**
Do not use headphones/earphones while driving, cycling, or operating any motorized vehicle. It may create a traffic hazard and is illegal in many areas. It can also be potentially dangerous to play your player at high volume while walking, especially at pedestrian crossings. You should exercise extreme caution or discontinue use in potentially hazardous situations.

Preventing hearing damage
Avoid using headphones/earphones at high volume. Hearing experts advise against continuous, loud and extended play. If you experience a ringing in your ears, reduce the volume or discontinue use.

Caring for others

Keep the volume at a moderate level. This will allow you to hear outside sounds and to be considerate of the people around you.

On the MiniDisc cartridge

- Do not touch the internal disc directly. Forcing the shutter open may damage the internal disc.
- Do not place the cartridge where it will be subjected to light, temperature, moisture or dust.
- Do not affix the label outside of the specified area on the MD. Make sure the label is placed within the recessed space on the disc.

On cleaning

- After wiping the player casing with a soft cloth slightly moistened with water, wipe it again with a dry cloth. Do not use any type of abrasive pad, scouring powder or solvent such as alcohol or benzene as it may mar the finish of the casing.
- Wipe the disc cartridge with a dry cloth to remove dirt.
- Dust on the lens may prevent the unit from operating properly. Be sure to close the disc compartment lid after inserting or ejecting an MD.
- To maintain good sound quality, use a soft cloth to clean the plugs of the headphones/earphones. A dirty plug may cause noise or intermittent breaks in the sound during playback.

If you have any questions or problems concerning your player, please consult your nearest Sony dealer.

Troubleshooting

Should any problem persist after you have made these checks, consult your nearest Sony dealer.

The player does not work or works poorly.

- You tried to play with no disc in the player. ("ⓁⓂ" flashes in the display.)
 - Insert an MD.
- An MD with no recording on it is inserted. ("ⓁⓂ" flashes in the display.)
 - Insert a recorded MD.
- The hold function is activated and the controls are locked. (If you press any of the operation buttons, "No id" flashes in the display.)
 - Slide HOLD against the direction of the arrow to release the hold function.
- Moisture has condensed inside the player.
 - Take the MD out and wait for several hours until the moisture evaporates.
- The dry battery is weak. ("Lo" flashes in the display.)
 - Replace a new dry battery.
- The dry battery has been installed incorrectly.
 - Install the battery with correct polarity.
- The player cannot read the disc (it's scratched or dirty) ("Err" flashes in the display.)
 - Retinsert or replace the disc.
- While operating, the player received a mechanical shock, too much static, abnormal power voltage caused by lightning etc.
 - Restart as follows.
 - Remove the battery.
 - Leave the player for about 30 seconds.
 - Insert the battery.

The MD is not played normally.

- The player is set to the repeat mode ("C" appears in the display.)
 - Press PLAYMODE/DISPLAY(2SEC) repeatedly until "C" disappears, then start playing.

The MD cannot be played from the first track.

- Disc playing stopped before it came to the last track.
 - Press ◀◀◀ repeatedly or eject and reinsert the MD once to go back to the beginning of the disc, and restart playing after checking the track number in the display.

Playback sound skips.

- The player is placed where it receives continuous vibration.
 - Put the player on a stable place.
- A very short track may cause sound to skip.

Sound has a lot of static.

- Strong magnetism from a television or such device is interfering with operation.
 - Move the player away from the source of strong magnetism.

No sound comes through the headphones/earphones.

- The headphones/earphones plug is not firmly connected.
 - Connect the headphones/earphones plug firmly to the ② jack.
- Volume is too low.
 - Adjust the volume by pressing VOL +/-.
- AVLS is on.
 - Press AVLS(2SEC) for 2 seconds or more to disappear "AVLS" in the display.

Specifications

Audio playing system
MiniDisc digital audio system
Laser diode properties
Material: GaAlAs
Wavelength: λ = 790 nm
Emission duration: continuous
Laser output: less than 44.6 μW
* This output is the value measured at a distance of 200 mm from the objective lens surface on the optical pick-up block with 7 mm aperture.

Revolutions
Approx. 700 rpm to 1,500 rpm
Error correction
ACIRC (Advanced Cross Interleave Reed Solomon Code)
Sampling frequency
44.1 kHz
Coding
ATRAC (Adaptive Transform Acoustic Coding)

Modulation system
EFM (Eight to Fourteen Modulation)

Number of channels
2 stereo channels
1 monaural channel
Frequency response
20 to 20,000 Hz ± 3 dB

Wow and Flutter
Below measurable limits
Power requirements
One LR6 (size AA) battery (not supplied)

Battery operation time
See "When to replace the battery"

Dimensions
Approx. 83.0 × 26.7 × 76.5 mm (w/h/d) (3 1/8 × 1 1/8 × 3 1/16 in.) (not including projecting parts and controls) (EIAJ)^①

Mass
Approx. 83.0 g (3.0 oz) (the player only)

Supplied accessory
Headphones/earphones (1)

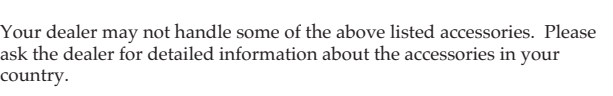
US and foreign patents licensed from Dolby Laboratories.

Design and specifications are subject to change without notice.

Optional accessories

MDR series stereo headphones/earphones^②
SRS series Active Speakers

^① Measured in accordance with the EIAJ (Electronic Industries Association of Japan) standard
^② When you plug the headphones/earphones to the ② jack, use only headphones/earphones with stereo mini plugs. Headphones/earphones with a microplug cannot be used.



Your dealer may not handle some of the above listed accessories. Please ask the dealer for detailed information about the accessories in your country.

注意

本产品不能和光学仪器一起使用，否则会增加眼睛受伤害的机会。

长时间用最高音量听，可能会损伤听觉。

注意—当打开机盖时，会有不可见的激光辐射射出。

不要将光束或直接用光学仪器观看。

销售商对产品质量问题或使用任何产品引起的直接和偶然事故，由此引起任何性质的伤害、损失及费用不承担任何责任。

一些国家对向本产品提供电力的电池的处理有法律规定。请向当地有关部门咨询。

注

本本机不承载LP2/LP4立体声模式。因此，本机是不能播放用LP模式录制的曲子或光盘的。

开始

准备电源 (见图 A)

1 装一节LR6 (AA尺寸) 电池按正确极性插入盒中。一定要先将电池的负极插入。(见图 A-②)

何时更换电池

- 可通过显示器上的电池指示标志核对电池状况。
 - 电池电力下降
 - 电池电力很弱
 - 电池用完，显示器显示 "Lo"。请更换新电池。

| 电池寿命 (EIAJ) ^① | 播放 |
|---------------------------------|----------|
| LR6 (SG) Sony 碱性电池 ^② | 大约 33 小时 |

^① 按EIAJ(Electronic Industries Association of Japan)标准测量(使用Sony MDW系列MD)。
^② 使用一节Sony LR6 (SG) "STAMINA" 碱性干电池(日本生产)时。

注

1 因工作条件不同，如环境温度 and 电池类型不同，电池寿命可能会比上列所示短。

接装电池盒盖

按照图 A-③所示接装电池盒盖。

连接头戴耳机/耳机 (见图 B)

1 把附带的头戴耳机/耳机与 ① 插孔连接。按图示箭头方向滑动 HOLD 以释放保持功能。

MD 播放

播放 MD (见图 C)

- 插入 MD。
 - 滑动 OPEN。(见图 C-①)
 - 插入 MD，标签面朝上，按下盖子关闭。(见图 C-②)

总曲数和总放音时间即出现于显示器。(见图 C-③)
- 播放 MD。(见图 C-④)
 - 按 ►►► 或 ◀◀◀。
 - 按 VOL +/- 以调节音量。音量电平在 0 到 10 中间变化，除 0 和 10 以外的每个数又各分为三段电平。(例如：2, 2, 2)

总共有 32 段音量电平。

| 要 | 请 |
|------------|------------------|
| 停止 | 按 ■ (见图 C-⑤)。 |
| 找到当前乐曲的开头 | 按 ◀◀◀ 一次。 |
| 收听前一首乐曲的开头 | 反复按 ◀◀◀。 |
| 收听下一乐曲的开头 | 按 ►►►。 |
| 播放时倒退 | 按住 ◀◀◀。 |
| 播放时前进 | 按住 ►►►。 |
| 取出 MD | 按 ■，然后按 OPEN 钮。* |

* 一旦打开盖，播放起始点移到第一乐曲的开头。

注

- 当取出光盘时，必须先按 ■，然后滑动 OPEN。
- 本机中没装 MD 或装了空白的 MD 时，本机显示器中将闪烁着 "ⓁⓂ"。

各种播放方式

反复播放曲子

能用三种方式反复播放曲子—全反复，单曲反复，和任意顺序反复。

1 反复按 PLAYMODE/DISPLAY(2SEC) 选择 3 种播放模式之，如下所示：

| 显示 | 播放模式 |
|-------------------|----------------|
| (无) (正常播放) | 所有乐曲播放一遍。 |
| "C" (全反复) | 反复播放全数的曲子。 |
| "C 1" (单曲反复) | 反复播放一首曲子。 |
| "C SHUF" (任意顺序播放) | 任意顺序反复播放全数的曲子。 |

要知道乐曲号和播放时间时 (见图 D-④)

播放期间，可以对乐曲号、当前乐曲已播放的时间。
1 按 DISPLAY(2SEC)2 秒以上。

增强低音(DIGITAL MEGABASS)

DIGITAL MEGABASS功能，可增强低频声而获得更富于音质的再现音响。

1 反复按 DIGITAL MEGABASS。每次按了 DIGITAL MEGABASS，显示器中的指示将改变如下：

| 显示器指示 (无指示) | 效果 |
|-------------|--------------|
| BASS ◄ | 增强了低音 (中等电平) |
| BASS ◄◄ | 增强了低音 (强电平) |

注

- 增强低音时，如果声音失真，即请扭小音量。
- 当打开着 AVLS 功能时，DIGITAL MEGABASS 功能是不发生作用的(多有“为保障听力”)。

为保护听力(AVLS) (见图 D-⑥)

1 按 AVLS(2SEC)(Automatic Volume Limiter System) 2 秒以上。显示窗将出现 "AVLS" 显示。此时，即便您试图将音量调到限制水准 ("1, 1") 以上，音量仍保持在中等水准。当音量超过限制水准时，"AVLS" 和将起闪烁。

要取消 AVLS 功能时

按 AVLS(2SEC)2 秒以上使 "AVLS" 消失显示。

要锁住控制钮(HOLD) (见图 E)

1 朝 ► 方向滑动 HOLD 以锁住控制钮。(见图 E-④)。如果控制钮上任何一个操作钮，"No id" 在显示器上闪烁。(见图 E-⑤)

要解锁控制钮时

请朝箭头的相反方向滑动 HOLD 以解锁控制钮。

附加信息

注意事项

- 关于安全**
 - 不要把干电池与硬币、钥匙圈或项链等金属物体放在一起，否则可能引起短路并发热。
 - 不正确的使用干电池可能导致漏液或膨胀，为防止此类情况，请遵守下列注意事项
 - 安装电池时，+/- 极性要正确。
 - 长期不使用时，请取出电池保存。
 - 如果电池形成漏液，先将电池仓中的漏液小心彻底地擦除干净，然后插入新电池。

保养

- 不要摔跌本机或使本机受冲击。这可能使本机损坏。
- 不要拉头戴耳机/耳机的电线。
- 不要把本机放在下列地方：
 - 被其热的地方 (超过 60°C)
 - 阳光直射或被热气的地方
 - 车窗摇上的汽车内 (特别在夏天)
 - 潮湿的地方，如浴室
 - 靠近电磁场的地方，如磁铁、扬声器或电视机
 - 多尘的地方
- 如取下附带的头戴耳机/耳机过频，立即停止使用，向医生或 Sony 服务中心咨询。

关于热量积累

如果本机使用很长一段时间，热量可能积累，但这不是故障。

关于机械杂讯

操作时，本机发出机械杂讯，它是由本机的节电系统引起的，这不是故障。

