

SONY



Intel® Pentium® Dual-Core Processor

VAIO NR

VGN-NR27G



Natural by design, effortless in function

like.no.other

VAIO  
no more bounds

Specifications

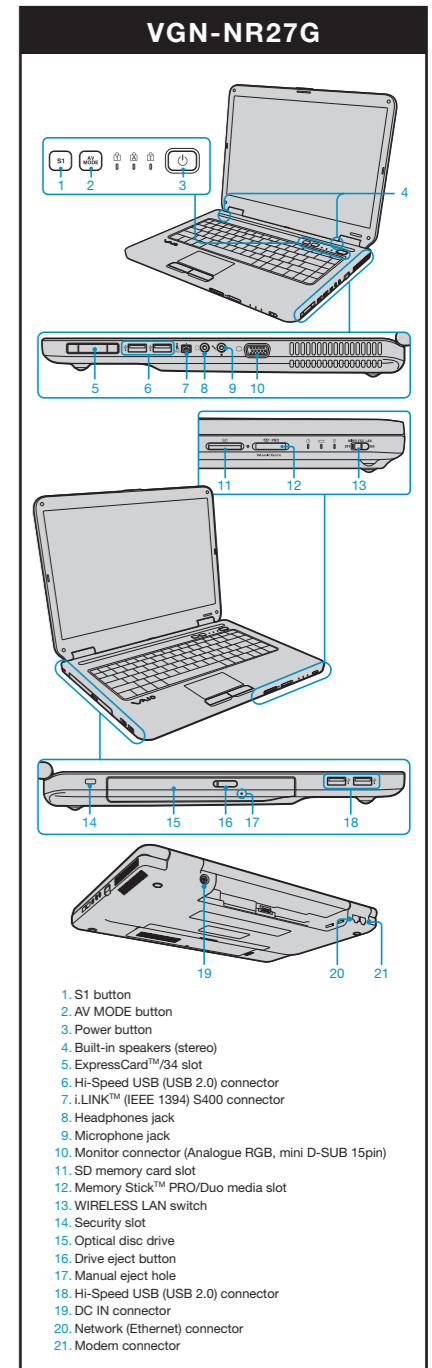
<b>Model</b>	VGN-NR27G
<b>Processor</b>	Intel® Pentium® Dual-Core Processor T2370 (1.73GHz) <sup>1,2</sup>
<b>OS</b>	Genuine Windows Vista® Home Premium (English Version) with Traditional Chinese Language Pack
<b>Chipset</b>	Mobile Intel® GL960 Express Chipset
<b>Processor System Bus</b>	533MHz
<b>Memory Bus</b>	533MHz
<b>Cache Memory</b>	1MB
<b>Main Memory</b>	Pre-installed / Max 1GB DDR2 SDRAM <sup>3</sup> (upgradeable up to 4GB <sup>4</sup> )
<b>SO-DIMM slots</b>	2 SO-DIMM slots (The pre-installed memory module uses two)
<b>Hard Disk Drive</b>	200GB <sup>5</sup> (Serial ATA, 5400rpm)
<b>Drive</b>	DVD±RW/±R DL/RAM Drive
<b>Optical Disc Drive</b>	DVD±R: 8x (Single Layer), 6x (Double Layer) / DVD-R: 8x (Single Layer), 6x (Dual Layer) / DVD+RW: 8x / DVD-RW: 6x / DVD-ROM: 8x / DVD-RAM: 5x / CD-ROM: 24x / CD-R: 24x / CD-RW: 24x
<b>Graphics Accelerator</b>	Mobile Intel® Graphics Media Accelerator X3100
<b>Display</b>	15.4" Wide (WXGA: 1280 x 800) TFT Colour display (Clear Bright LCD Lite)
<b>USB</b>	High Speed USB 2.0 x 4
<b>i.LINK (IEEE 1394)</b>	4pin (S400) x 1
<b>Network (RJ-45) Connector</b>	10Base-T/100Base-TX x 1
<b>Display Output Connector</b>	Analogue RGB, mini D-sub 15pin x 1
<b>Headphone</b>	stereo mini jack x 1
<b>Microphone</b>	stereo mini jack x 1
<b>Modem</b>	V.92 and V.90 Compliant x 1
<b>Memory Stick Slot</b>	Memory Stick (Standard/Duo Size compatible, MagicGate compatible, Memory Stick PRO compatible, High-speed data transfer compatible) <sup>6</sup>
<b>SD Memory Card Slot</b>	SD Memory Card <sup>7</sup> (SDHC compatible, MMC compatible)
<b>DC IN</b>	x 1
<b>Wireless LAN</b>	Integrated Wireless LAN IEEE 802.11b/g <sup>8</sup> • Maximum data rate: 11Mbps (802.11b), 54Mbps (802.11g) <sup>9</sup> • Frequency: 2.4GHz (802.11b/g)
<b>Compatible Memory Cards</b>	• Memory Stick (Standard/Duo Size compatible, MagicGate compatible, Memory Stick PRO compatible, High-speed data transfer compatible) • SD Memory Card (SDHC compatible) • Multi Media Card
<b>PC Card Slot</b>	ExpressCard™/34 x 1
<b>Audio</b>	• Intel® High Definition Audio compatible • 3D audio (Direct Sound 3D support) • Built-in stereo speakers
<b>Keyboard / Input Device</b>	• Approx. 19mm key pitch / 2.5mm keystroke • 86 keys • Intelligent Touchpad
<b>Battery</b>	<b>Bundled Battery</b> VGP-BPS9/B Lithium-ion battery: up to 3.5 hours of use <b>Optional Long Battery</b> VGP-BPL9 Lithium-ion battery: up to 6 hours of use
<b>Life<sup>10</sup></b>	
<b>Dimensions (W x H x D)</b>	360 x 31.4 - 37.9 x 269.1mm
<b>Weight</b>	2.9kg (including the supplied battery)
<b>Included Software</b>	• <b>AV Entertainment:</b> Windows® Media Center, Image Converter 3 • <b>Video Edit/Playback:</b> VAIO Movie Story 1.1, VAIO Content Exporter 1.2, Adobe® Premiere® Elements 4.0, VAIO Edit Components 6.4 <sup>11</sup> , WinDVD for VAIO 8.0 • <b>DVD Creation:</b> Click to Disc 1.0, Click to Disc Editor 1.0 • <b>Music:</b> VAIO MusicBox 1.1, SonicStage Mastering Studio 2.4, SonicStage Mastering Studio Audio Filter 2.3 • <b>Still Image/Photo:</b> Windows® Photo Gallery, Picasa™, Adobe® Photoshop® Elements 6.0 (Installer) • <b>Home Network:</b> VAIO Media 6.0 • <b>Word Processor/Spreadsheet:</b> 60-Days Trial Version of Microsoft® Office Professional 2007 <sup>12</sup> • <b>Tool:</b> Roxio Easy Media Creator 8.1, Adobe® Reader® 8, Norton Internet Security™ 2008 (Installer) <sup>13</sup> • <b>Utilities:</b> VAIO Control Center 2.1, Setting Utility Series 3.1, VAIO Launcher 1.1 • <b>Support:</b> VAIO Recovery Center, VAIO Update 3.0, VAIO Data Restore Tool 1.0
<b>Supplied Accessories</b>	• AC Adaptor (VGP-AC19V20) • Lithium-ion battery (VGP-BPS9/B) <sup>14</sup>
<b>Warranty</b>	One year <sup>15</sup>

Features and specifications are subject to change without notice.

<sup>1</sup> CPU speed will be reduced under certain operating conditions. <sup>2</sup> Intel® Virtualization Technology is not supported on VAIO. <sup>3</sup> If memory modules of the same capacity are installed to both of the two memory module slots, the supported dual channel mode provides better performance. <sup>4</sup> A portion of the system memory over 3GB may not be available to the operating system. Sony does not guarantee compatibility with memories of other brands. <sup>5</sup> GB means one billion bytes when referring to hard disk drive capacity. Accessible capacity may vary. A portion of hard disk space is reserved as a recovery partition. <sup>6</sup> Compatibility confirmed with Sony branded "Memory Stick" media only. <sup>7</sup> The copyright protection of the SD Memory Card is not supported. <sup>8</sup> The maximum communication distance can vary depending on the obstacles or the distance between the communication devices, the radio waves, the operating system or the software being used. <sup>9</sup> The communication speed varies depending on the distance between communication devices, existence of obstacles between such devices, the device configuration, the radio conditions, and the software in use. In addition, communication may be cut off depending on the radio conditions. <sup>10</sup> Estimated battery life (under JEITA Battery Run Time Measurement Method ver. 1.0). Actual battery life may vary with different operating conditions and settings. For further details, please visit vaio-online.sony.com. <sup>11</sup> Though the software is not pre-installed, the official license is registered. It can be downloaded free of charge. <sup>12</sup> This software is intended for evaluation purposes only. It must be activated before actual use, and the activation procedures will be detailed during initial launch. Activation requires Internet access, which enables certain functions included. This software has an expiration date of 60 days from date of first use, at which time the software will operate under reduced-functionality mode, limiting options and operations. <sup>13</sup> Free use of 90 days. Further update will be charged. <sup>14</sup> This product may only function with a genuine Sony battery designed for this model. <sup>15</sup> Warranty conditions may vary by region.

The trademarks, including but not limited to "SONY", "VAIO", "Memory Stick" and "SonicStage" are either trademarks or registered trademarks of Sony Corporation and/or its subsidiaries. Adobe, Adobe Photoshop, Adobe Reader and Adobe Premiere are trademarks of Adobe Systems Incorporated in the United States and/or other countries. Centrino, Centrino Inside, Centrino Logo, Core Inside, Intel, Intel Logo, Intel Core, Intel Inside, Intel Inside Logo, Pentium and Pentium Inside are trademarks of Intel Corporation in the U.S. and other countries. Windows, Windows Vista, the Windows logo and Microsoft are trademarks or registered trademarks of Microsoft Corporation in the United States and/or other countries. All other product and brand names may be trademarks or registered trademarks of their respective owners. Whilst information given is true at time of printing, small production changes in the course of our company's policy of improvement through research and design might not necessarily be included in the specifications. EXCE. Actual models may differ slightly in appearance to illustrations provided.

Sony recommends Windows Vista® Home Premium.



Optional Accessories for VGN-NR27G (availability depends on region)

**VGP-BPL9**  
Lithium-Ion Battery (L)

- Rechargeable Battery
- Up to 6 hours of use<sup>10</sup>



**VGP-CP16**  
Carrying Case

- Slim, lightweight pouch sized for VAIO NR
- Handy zip fastener and stylish VAIO Logo
- Polyurethane for scratch and dust protection



**VGP-UMS55**  
Silver (S), Black (B)  
USB Laser mouse

- Ergonomic design naturally fits your hand
- Highly accurate laser sensor
- Innovative PTFE sole for precise operation
- Sensor resolution: 800 dots per inch



**VGP-UPR1**  
USB Docking Station

- Video output (DVI-D, Analogue RGB, VGA, mini D-sub 15-pin)
- LAN connector
- Hi-Speed USB (USB 2.0) connector (x4)
- Microphone/Headphone connector



**VGP-CP17**  
Carrying Pouch

- Embossed VAIO logo
- Handy mini-pouch
- Opens smoothly and quietly



**VGP-WMS50A**  
Wireless Presentation Mouse

- Presentation mode for smarter presentations
- Ergonomic design naturally fits your hand
- Innovative PTFE sole for precise operation
- Sensor resolution: 800 dots per inch



vaio-online.sony.com



Sony recommends Windows Vista® Home Premium.



Dimple Finish



Sensible Interface



Floating Design

## Home is where the fun starts

Inside your home is where the VAIO NR27G belongs. Its natural design, fun new software and AV Mode shortcut key make it the perfect home entertainment companion. And when it's time to move, the slim, lightweight design provides easy portability to any room in your home. The wide 15.4" display and truly enjoyable interface assure comfortable operation for just about any home computing task.



# VGN-NR27G

### Natural by design

With its comfortably warm design and chic silver granite colour, the VAIO NR27G blends in well with both your interior and lifestyle. The lightly dimpled surface suggests the feel of fine fabric — pleasingly tactile and inviting to the touch. Atop a table, it seems to float lightly, a subtle illusion that is the hallmark of the VAIO design. Gently rounded corners impart a soft, friendly feeling and allow it to slip effortlessly in and out of your bag without snagging. You'll also appreciate the new layout, which has been redesigned for fast, clutter-free access to all interfaces and controls.

### Inspired home entertainment

The playful new VAIO NR27G comes loaded with VAIO original software that lets you easily create, capture and share audio and visual content. For high-quality home movies without the bother, try Sony's VAIO Movie Story — powerful software that distills complex movie production into three simple steps. Use the cool Sony-designed templates to quickly produce great looking movies or give your creativity free reign with the editing tools. Also included is Click to Disc / Click to Disc Editor for easy burning of DVDs. Audio buffs will enjoy smart VAIO MusicBox, which plays songs from your music collection that fit your current mood. Powered by Sony's own 12 Tone Analysis algorithm, this intelligent software deconstructs sound wave data into 12 tones in order to categorise each song by mood, activity or moment. Lastly, the conveniently located AV Mode key provides speedy access to all your AV applications via the new VAIO Launcher.

### Outstanding performance

The VAIO NR27G is ideal for all your home computing and AV requirements. Containing the Intel® Pentium® Dual-Core T2370 (1.73GHz) and Mobile Intel® GL960 Express Chipset at FSB 533MHz, this cutting-edge technology delivers outstanding efficiency and rock-solid reliability. Windows Vista® Home Premium comes pre-installed and provides more intuitive operation, improved search functions and new speech recognition capability. Memory Stick and SD Memory Card slots make it easy to share data, and the DVD drive writes to DVD±RW/±R DL/RAM media for outstanding compatibility. The VAIO NR27G is also equipped with Sony's 15.4" wide Clear Bright LCD Lite for superb readability and sharp colour definition. Of course, wireless capability is built-in, and there are now four easily accessed USB ports for increased connectivity options.

Powerful Software for creative minds.

### VIDEO & PHOTOS



**Click to Disc / Click to Disc Editor**  
Create video/photo DVDs with menus in one click. Use photos and footage you've edited with Click to Disc Editor.



**VAIO Movie Story**  
Automatically produce high-quality home movies with a professional feel in three simple steps.



**Adobe® Premiere® Elements**  
Enjoy advanced editing of videos, photos, and music with this renowned software.



**Adobe® Photoshop® Elements**  
Add a personal touch to your prized still images and present them effectively to your friends.



**VAIO Content Exporter**  
Simply and smoothly export a wide range of AV files, including video footage and photos you've enjoyed creating yourself.

Roxio Easy Media Creator / WinDVD for VAIO / Picasa™

### MUSIC



**VAIO MusicBox**  
Intelligent software that automatically plays music from your collection that fits your mood, activity or time of day.



**SonicStage Mastering Studio**  
Convert analogue music to digitally enhanced audio\* with high-quality effector modules.



**SonicStage Mastering Studio Audio Filter**  
Enhance any audio content played on VAIO laptop PCs and enjoy it with excellent headphone presets.

### SUPPORT

#### VAIO Update

Alerting you to important changes via Internet that appear as reminder balloons on your desktop.\*\*

#### Norton Internet Security™ 2008

Highly effective monitoring for viruses and spyware helps keep computing secure.\*\*\*

VAIO Recovery Center / VAIO Data Restore Tool

#### Main features

- Beautiful viewing: Clear Bright LCD Lite
- Network freedom: Wireless LAN 802.11b/g
- Handy home use: 2.9kg
- Direct Media Access: Memory Stick Slot / SD Memory Card Slot
- Comfortable typing: Full-pitched Keyboard
- Handy Presentation: Plug & Display

#### Basic specifications

- Intel® Pentium Dual-Core Processor T2370 (1.73GHz)
- Genuine Windows Vista® Home Premium
- 15.4" WXGA display 1280 x 800
- DVD±RW/±R DL/RAM Drive
- Memory 1GB
- Hard Disk Drive 200GB
- Mobile Intel® Graphics Media Accelerator X3100

\* Roland EDIROL AUDIO capture UA-25™ or UA-101™ USB audio interface device required.  
\*\* Internet connection required for use.  
\*\*\* Free use of 90 days. Further update will be charged.  
\*\*\*\* Availability depends on region.  
Note: Any copying or reproduction of copyrighted material may amount to copyright infringement.

