

Sony recommends Windows Vista® Business.

Specifications

Model	VGN-FZ25GN	
Processor Technology	Intel® Centrino® Duo Processor Technology • Intel® Core™2 Duo Processor T7250 (2GHz) ^{1,2} • Intel® PRO/Wireless 3945ABG Network Connection • Mobile Intel® PM965 Express Chipset	
OS	Genuine Windows Vista® Business (English version) with Traditional Chinese Language Pack	
Chipset	Mobile Intel® PM965 Express Chipset	
Processor System Bus	800MHz	
Memory Bus	667MHz	
Cache Memory	2MB	
Main Memory	Pre-installed / Max	1GB DDR2 SDRAM ^{3,4}
Memory	SO-DIMM slots	2 SO-DIMM slots (The pre-installed memory module uses one)
Hard Disk Drive	160GB ⁵ (Serial ATA, 5400rpm)	
Optical Drive	Drive	DVD±RW/±R DL/RAM Drive
Disc Drive	Maximum Reading Speed	DVD+R: 8x (Single Layer), 6x (Double Layer) / DVD-R: 8x (Single Layer), 6x (Dual Layer) / DVD-RW: 8x / DVD-RW: 8x / DVD-ROM: 8x / DVD-RAM: 5x / CD-ROM: 24x / CD-R: 24x / CD-RW: 24x
Graphics Accelerator	NVIDIA® GeForce® 8400M GT notebook graphics processing unit (GPU)	
Total Available Graphics Memory (Max)⁶	383MB	
Display	15.4" Wide (WXGA: 1280 x 800) TFT Colour display (Clear Bright High Colour LCD 90)	
Interfaces	USB	High Speed USB 2.0 x 3
	i.LINK (IEEE 1394)	4pin (S400) x 1
	Network (RJ-45) Connector	10Base-T/100Base-TX x 1
	Display Output Connector	Analogue RGB, mini D-sub 15pin x 1
	S Video In/Out Connector	Output x 1
	Headphone	stereo mini jack x 1
	Microphone	stereo mini jack x 1
	HDMI Connector	Output x 1
	Modem	V.92 and V.90 Compliant x 1
	Memory Stick Slot	Memory Stick (Standard/Duo Size compatible, MagicGate compatible, Memory Stick PRO compatible, High-speed data transfer compatible) ⁷
Wireless Connection	Wireless LAN	• Integrated Wireless LAN IEEE 802.11a/b/g ⁹ • Intel® PRO/Wireless 3945ABG Network Connection • Maximum data rate: 11Mbps (802.11b) / 54Mbps (802.11a/g) ¹⁰ • Frequency: 5GHz (802.11a), 2.4GHz (802.11b/g)
	Bluetooth	Bluetooth standard Ver. 2.0+EDR
Compatible Memory Cards	• Memory Stick (Standard/Duo Size compatible, MagicGate compatible, Memory Stick PRO compatible, High-speed data transfer compatible) • SD Memory Card (SDHC compatible, MMC compatible)	
PC Card Slot	ExpressCard™/34 x 1	
Camera	Effective Pixels: 1280 x 1024	
Audio	• DSD compatible high quality sound chip: "Sound Reality" (Intel® High Definition Audio compatible) • 3D audio (Direct Sound 3D support) • Built-in stereo speakers • Built-in monaural microphone	
Keyboard / Input Device	• Approx. 19mm key pitch / 2mm keystroke • 82 keys • Intelligent Touchpad	
Battery	Bundled Battery	VGP-BPS8 Lithium-ion battery: up to 2.5 hours of use
	Optional Long Battery	VGP-BPL8 Lithium-ion battery: up to 4.5 hours of use
Dimensions (W x H x D)	355.8 x 24.9 - 34.5 x 254.4mm	
Weight	2.7kg (including the supplied battery)	
Included Software	• AV Entertainment: Image Converter 3 • Video Edit/Playback: VAO Movie Story 1.0, VAO Content Importer/Exporter 1.2, Adobe® Premiere® Elements 3.0 (Installer), VAO Edit Components 6.3 (Installer), WinDVD for VAO 8.0 • DVD Creation: Click to DVD 2.5 • Music: VAO MusicBox 1.0, SonicStage Mastering Studio 2.4, SonicStage Mastering Studio Audio Filter 2.3, DSD Direct Player 1.0 • Still Image/Photo: Windows® Photo Gallery, Picasa™, Adobe® Photoshop® Elements 5.0 (Installer) • Home Network: VAO Media 6.1 • Word Processor/Spreadsheet: 60-Days Trial Version of Microsoft® Office Professional 2007 ¹² • Tool: Roxio Easy Media Creator 9.0, Adobe® Reader® 8.1, Norton Internet Security™ 2007 ¹³ • Utilities: VAO Control Center 2.1, VAO Camera Capture Utility 2.5, Setting Utility Series 3.0, VAO Launcher 1.0, ArcSoft Magic™ Visual Effects 1.0 (Installer) • Support: VAO Recovery Center 1.1, VAO Update 3.0, VAO Data Restore Tool 1.0	
Supplied Accessories	• AC Adaptor (VGP-AC19V24) • Lithium-ion battery (VGP-BPS8) ¹⁴	
Warranty	One year ¹⁵	

Features and specifications are subject to change without notice.

¹ CPU speed will be reduced under certain operating conditions. ² Intel® Virtualization Technology is not supported on VAIO. ³ If memory modules of the same capacity are installed to both of the two memory module slots, computer will run in dual channel mode and provide better performance. ⁴ Sony does not guarantee compatibility with memories of other brands. ⁵ GB means one billion bytes when referring to hard drive capacity. Accessible capacity may vary. A portion of hard disk space is reserved as a recovery partition. ⁶ Total Available Graphics Memory refers to the new Windows Vista® classification of graphics memory, which is the total of Dedicated Video Memory, System Video Memory and Shared System Memory. ⁷ Compatibility confirmed with Sony branded "Memory Stick" media only. ⁸ The copyright protection of the SD memory card is not supported. ⁹ The maximum communication distance can vary depending on the obstacles or the distance between the communication devices, the radio waves, the operating system or the software being used. ¹⁰ The communication speed varies depending on the distance between communication devices, existence of obstacles between such devices, the device configuration, the radio conditions, and the software in use. In addition, communication may be cut off depending on the radio conditions. ¹¹ Estimated battery life (under JETA Battery Run Time Measurement Method ver. 1.0). Actual battery life may vary with different operating conditions and settings. For further details, please visit vaio-online.sony.com ¹² This software is intended for evaluation purposes only. It must be activated before actual use, and the activation procedures will be detailed during initial launch. Activation requires Internet access, which enables certain functions included. This software has an expiration date of 60 days from date of first use, at which time the software will operate under reduced-functionality mode, limiting options and operations. ¹³ Free use of 90 days. Further update will be charged. ¹⁴ This product may only function with a genuine Sony battery designed for this model. ¹⁵ Warranty conditions may vary by region.

The trademarks, including but not limited to "SONY", "VAIO", "Memory Stick" and "SonicStage" are either trademarks or registered trademarks of Sony Corporation and/or its subsidiaries. Adobe, Adobe Photoshop, Adobe Reader and Adobe Premiere are trademarks of Adobe Systems Incorporated in the United States and/or other countries. Intel, the Intel logo, Centrino and the Centrino logo, Intel Core and Core Inside are trademarks or registered trademarks of Intel Corporation or its subsidiaries in the United States and other countries. Windows, Windows Vista, the Windows logo and Microsoft are trademarks or registered trademarks of Microsoft Corporation in the United States and/or other countries. All other product and brand names may be trademarks or registered trademarks of their respective owners. Whilst information given is true at time of printing, small production changes in the course of our company's policy of improvement through research and design might not necessarily be included in the specifications. E&OE. Actual models may differ slightly in appearance to illustrations provided.

Optional Accessories for VGN-FZ25GN (availability depends on region)

VGP-BPL8
Lithium-ion Battery (L)

- Rechargeable Battery
- Up to 4.5 hours of use¹¹




VGP-SP100
2.1ch Amplified Speakers

- Unparalleled multimedia experience
- Easy connectivity via USB 2.0
- 1.2W Subwoofer plus bass balance



VGP-CP12
Carrying Pouch

- Slim, lightweight pouch sized for VAIO FZ
- Handy zip fastener and stylish VAIO Logo
- Polyurethane for scratch and dust protection




VGP-CP17
Carrying Pouch

- Embossed VAIO logo
- Handy mini-pouch
- Opens smoothly and quietly



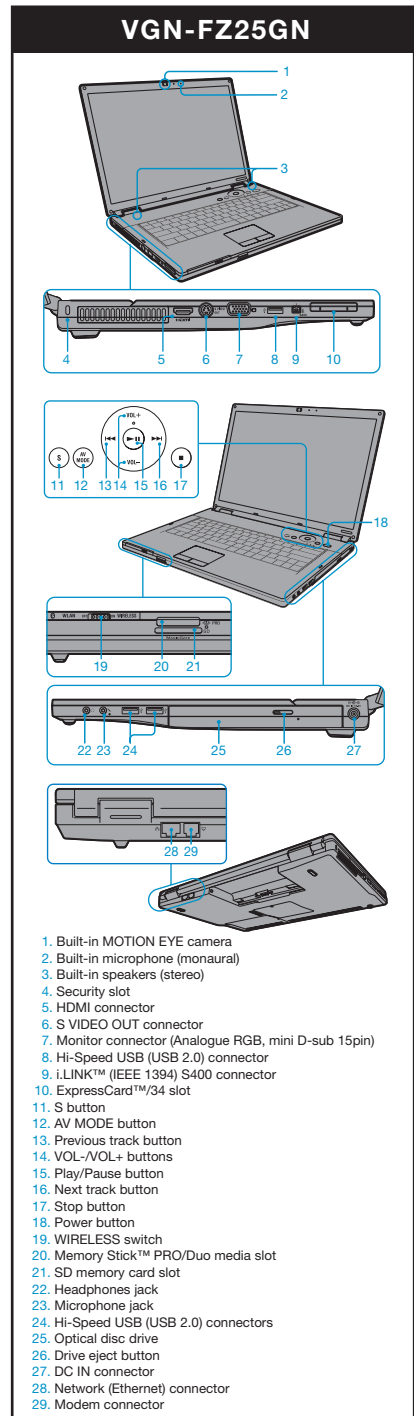
VGP-BMS33
Black (B), Gold (N), Silver (S), White (W)
Bluetooth® Laser Mouse

- Smart wireless mouse for mobile use
- Highly accurate laser sensor
- Innovative PTFE sole for precise operation
- Sensor resolution: 800 dots per inch



VGP-UMS55
Silver (S), Black (B)
USB Laser mouse

- Ergonomic design naturally fits your hand
- Highly accurate laser sensor
- Innovative PTFE sole for precise operation
- Sensor resolution: 800 dots per inch

SONY



Intel® Centrino® Duo Processor Technology

VAIO FZ

VGN-FZ25GN



Brighten your day with style and ease



vaio-online.sony.com



VAIO
no more bounds

like.no.other



Full HD
1080

Streamlined for business and pleasure

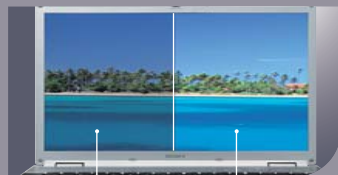
Enjoy user-friendly computing on the VAIO FZ25GN. It brings movies to life on Sony's latest 15.4" wide Clear Bright High Colour LCD 90, which boasts the purest colour reproduction of any VAIO. The simply elegant design, with black and silver finish and convenient AV Control Buttons, looks great wherever you take it. Moreover, performance reaches new heights thanks to cutting-edge Intel® Centrino™ Duo Processor Technology. Whether for business or pleasure, the VAIO FZ25GN makes mobile computing a joy.



AV Control Buttons



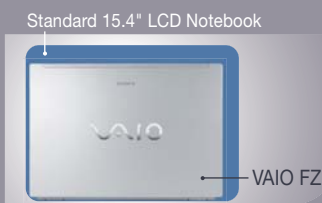
Silver and Black Design



LCD Image Comparison ▶

Conventional LCD Clear Bright High Colour LCD 90

Compact Design ▶



Standard 15.4" LCD Notebook

VAIO FZ



Leap forward with leading performance

A genuine high-tech advantage is yours with the new VAIO FZ25GN — the latest, cutting-edge Intel® Centrino® Duo Processor Technology. Relish the exceptional performance of Intel® Core™2 Duo Processor T7250 (2GHz), next-generation Mobile Intel® PM965 Express Chipset, 800MHz Front Side Bus (FSB), and Intel® PRO/Wireless 3945ABG Network Connection. Thanks to Windows Vista® Business, the latest operating system, you'll enjoy intuitive operation and responsive search functions. Powerful NVIDIA® GeForce® 8400M GT GPU adds to the pleasure of HD movie editing and gameplay with accelerated graphics. All this exceptional performance is supported by a large-capacity 160GB HDD (Serial ATA, 5400rpm) and 1GB of DDR2 SDRAM 667MHz main memory. Enjoy your PC lifestyle with the VAIO FZ25GN.

Colour your world with high definition

Savor the stunning image quality of Sony's latest 15.4" wide Clear Bright High Colour LCD 90 (WXGA: 1280 x 800), which reproduces remarkably accurate colour thanks to BRAVIA backlight technology. It's perfect for playing HD-quality DVD blockbusters and original home movies you've created using bundled VAIO Movie Story software. You can even enjoy playing them on connected large-screen TVs via HDMI cable. Sound Reality adds to the excitement with superior audio quality, and handy AV Control Buttons simplify AV operation. You can also video chat using the built-in 1.3 megapixel MOTION EYE camera and microphone, as well as wirelessly communicate with Bluetooth®. Let the brilliant VAIO FZ25GN enhance your digital lifestyle.

The beauty of refined craftsmanship

The new VAIO FZ25GN is elegantly engineered with subtle refinements that convey excellent taste. Beautifully simple, its silver and black colour scheme complements any wardrobe and environment, whether in the office or at home. Lightweight for mobility, its dimensions are compact yet contain leading-edge technology like a wide 15.4" LCD and flush, built-in MOTION EYE camera lens. Main body panels are constructed of Die-cast magnesium, a material prized everywhere for its remarkable beauty and rigidity. It's a sophisticated, refreshing design that never goes out of style and makes you look your best wherever you go.

VIDEO & PHOTOS



VAIO Movie Story

Automatically produce high-quality home movies with a professional feel in three simple steps.



Click to DVD

Create video and photo DVDs on DVD±RW/±R DL or DVD-RAM discs in one click, with 5.1 surround sound.



VAIO Content Importer/Exporter

Import and export a wide range of AV files simply and smoothly for playback and editing.



Adobe® Premiere® Elements

Enjoy advanced editing of videos, photos, and music with this renowned software.



Adobe® Photoshop® Elements

Add a personal touch to your prized still images and present them effectively to your friends.

Roxio Easy Media Creator / WinDVD BD for VAIO / Picasa™

MUSIC



VAIO MusicBox

Intelligent software that automatically plays music from your collection that fits your mood, activity or time of day.



SonicStage Mastering Studio

Convert analogue music to digitally enhanced audio* with high-quality effector modules.



SonicStage Mastering Studio Audio Filter

Enhance any audio content played on VAIO laptop PCs and enjoy it with excellent headphone presets.

SUPPORT

VAIO Update

Alerting you to important changes via Internet that appear as reminder balloons on your desktop.**

Norton Internet Security™ 2007

Highly effective monitoring for viruses and spyware helps keep computing secure.***

VAIO Recovery Center / VAIO Data Restore Tool

Main features

Beautiful viewing: Clear Bright High Colour LCD 90	Built-in 1.3 megapixel camera: MOTION EYE	Network freedom: Wireless LAN 802.11a/b/g Bluetooth®	High-durability: Magnesium Body	Handy Presentation: Plug & Display	Direct Media Access: Memory Stick Slot/ SD Memory Card Slot	High-quality sound: Sound Reality Audio Chip
Simple entertainment access: AV Control Buttons	Connect to TV: HDMI Connector, S-Video Out Connector	Handy home use: 2.7kg	Battery stamina: Up to 2.5 hours			
Basic specifications						
Intel® Core™2 Duo Processor T7250 (2GHz)	Genuine Windows Vista® Business	15.4" WXGA display 1280 x 800	NVIDIA® GeForce® 8400M GT GPU	DVD±RW/±R DL/RAM Drive	Memory 1GB	Hard Disk Drive 160GB

* Roland EDIROL AUDIO capture UA-25**** or UA-101**** USB audio interface device required.
** Internet connection required for use.
*** Free use of 90 days. Further update will be charged.
**** Availability depends on region.
Note: Any copying or reproduction of copyrighted material may amount to copyright infringement.

