

Sony recommends Windows Vista® Home Premium.

Specifications

Model	VGC-LJ15G
Processor	Intel® Core™2 Duo Processor T7250(2GHz) ^{11,2}
Operating System	Genuine Windows Vista® Home Premium (English version) with Traditional Chinese Language Pack
Chipset	Mobile Intel® GM965 Express Chipset
Processor System Bus	800MHz
Memory Bus	667MHz
Cache Memory	2MB
Main Memory	Pre-installed / Max 1GB DDR2 SDRAM ³ (upgradeable up to 4GB ⁴) SO-DIMM slots 2 SO-DIMM slots (The pre-installed memory module uses two)
Hard Disk Drive	160GB ⁵ (Serial ATA, 5400rpm) Drive DVD±RW/±R DL/RAM Drive ⁶ Maximum Reading Speed DVD+R: 8x (Single Layer), 6x (Double Layer) / DVD-R: 8x (Single Layer), 6x (Dual Layer) / DVD+RW: 8x / DVD-RW: 6x / DVD-ROM: 8x / DVD-ROM: 8x / CD-ROM: 24x / CD-R: 24x / CD-RW: 24x Maximum Writing Speed DVD+R: 8x (Single Layer), 4x (Double Layer) / DVD-R: 8x (Single Layer), 4x (Dual Layer) / DVD+RW: 6x / DVD-RW: 6x / DVD-RAM: 5x / CD-R: 24x / CD-RW: 16x
Graphics Accelerator	Mobile Intel® Graphics Media Accelerator X3100
Total Available Graphics Memory (Max)⁷	251 MB
Display	15.4" Wide (WXGA: 1280 x 800) TFT colour display (Clear Bright LCD Lite)
USB	High Speed USB 2.0 x 5
i.LINK(IEEE 1394)	4pin (S400) x 1
Network (RJ-45) Connector	10Base-T/100Base-TX x 1
Headphone	stereo mini jack x 1
Microphone	stereo mini jack x 1
Modem	V.92 and V.90 Compliant x 1
Memory Stick Slot	Memory Stick (Standard / Duo Size compatible, MagicGate compatible, Memory Stick PRO compatible, High-speed data transfer compatible) ⁸
SD Memory Card Slot	SD Memory Card ⁹ (SDHC compatible, MMC compatible)
DC IN	x 1
Others	Optical Out Connector, Line-In (stereo mini jack)
Wireless LAN	Integrated Wireless LAN IEEE 802.11b/g ¹⁰ Maximum data rate: 11Mbps (802.11b) / 54Mbps (802.11g) ¹¹ Frequency: 2.4GHz (802.11b/g)
Compatible Memory Cards	Memory Stick (Standard/Duo Size compatible, MagicGate compatible, Memory Stick PRO compatible, High-speed data transfer compatible) • SD Memory Card (SDHC compatible) • Multi Media Card
PC Card Slot	ExpressCard™ / 34 x 1, Type I/II x 1
Camera	Effective Pixels: 1280x1024
Audio	DSD compatible high quality sound chip: "Sound Reality" (Intel® High Definition Audio compatible) • 3D audio (Direct Sound 3D support) • Built-in stereo speakers • Subwoofer speaker for bass frequencies • Built-in monaural microphone
Keyboard / Input Device	Approx. 19mm key pitch/2.5mm keystroke • 87 keys • Intelligent Touchpad
Battery Life¹² Bundled Battery	VGP-BPS8 Lithium-ion battery: Up to 2.5 hours of use
Dimensions (W x H x D)	486mm x 313mm x 135mm (Under minimal tilt with folded keyboard), 486mm x 276mm x 224mm (Under maximal tilt with opened keyboard)
Weight	5.3kg (including the supplied battery)
Included Software	• AV Entertainment: Windows® Media Center, Image Converter 3 • Video Edit/Playback: VAIO Movie Story 1.0, VAIO Content Importer/Exporter 1.2, Adobe® Premiere® Elements 3.0 (Installer), VAIO Edit Components 6.3 (Installer), WinDVD for VAIO 8.0 • DVD Creation: Click to DVD 2.6 • Music: SoundFLOW 4.0, SonicStage Mastering Studio 2.4, SonicStage Mastering Studio Audio Filter 2.3, DSD Direct Player 1.0 • Still Image/Photo: Windows® Photo Gallery, Picasa™, Adobe® Photoshop® Elements 5.0 (Installer) • Home Network: VAIO Media 6.1 • Word Processor/Spreadsheet: 60-Days Trial Version of Microsoft® Office Professional 2007 ¹³ • Tool: Roxio Easy Media Creator 9.0, Adobe® Reader® 8.1, Norton Internet Security™ 2007 ¹⁴ • Utilities: VAIO Control Center 2.1, VAIO Camera Capture Utility 2.5, Setting Utility Series 3.0, ArcSoft Magic-i™ Visual Effects 1.0 (Installer) • Support: VAIO Recovery Center 1.1, VAIO Update 3.0, VAIO Data Restore Tool 1.0
Supplied Accessories	AC Adaptor (VGP-AC19V24) • Lithium-ion battery (VGP-BPS8) ¹⁵ • 8cm Disc Adaptor
Warranty	One year ¹⁶

Features and specifications are subject to change without notice.

¹ CPU speed will be reduced under certain operating conditions. ² Intel® Virtualization Technology is not supported on VAIO. ³ Since memory modules of the same capacity are installed to both of the two memory module slots, computer runs in dual channel mode and provides better performance. ⁴ A portion of the system memory over 3GB may not be available to the operating system. Sony does not guarantee compatibility with memories of other brands. ⁵ GB means one billion bytes when referring to hard drive capacity. Accessible capacity may vary. A portion of hard disk space is reserved as a recovery partition. ⁶ This optical drive is not capable of writing data onto an 8cm disc. Please use the bundled 8cm disc adaptor for reading data of an 8cm disc. ⁷ Total Available Graphics Memory refers to the new Windows Vista® classification of graphics memory, which is the total of Dedicated Video Memory, System Video Memory and Shared System Memory. ⁸ Compatibility confirmed with Sony branded "Memory Stick" media only. ⁹ The copyright protection of the SD memory card is not supported. ¹⁰ The maximum communication distance can vary depending on the obstacles or the distance between the communication devices, the radio waves, the operating system or the software being used. ¹¹ The communication speed varies depending on the distance between communication devices, existence of obstacles between such devices, the device configuration, the radio conditions, and the software in use. In addition, communication may be cut off depending on the radio conditions. ¹² Estimated battery life (under JEITA Battery Run Time Measurement Method ver 1.0) Actual battery life may vary with different operating conditions and settings. For further details, please visit vaio-online.sony.com. ¹³ This software is intended for evaluation purposes only. It must be activated before actual use, and the activation procedures will be detailed during initial launch. Activation requires Internet access, which enables certain functions included. This software has an expiration date of 60 days from date of first use, at which time the software will operate under reduced-functionality mode, limiting options and operations. ¹⁴ Free use of 90 days. Further update will be charged. ¹⁵ This product may only function with a genuine Sony battery designed for this model. ¹⁶ Warranty conditions may vary by region.

The trademarks, including but not limited to "SONY", "VAIO", "Memory Stick" and "SonicStage" are either trademarks or registered trademarks of Sony Corporation and/or its subsidiaries. Adobe, Adobe Photoshop, Adobe Reader and Adobe Premiere are trademarks of Adobe Systems Incorporated in the United States and/or other countries. Intel, the Intel logo, Centrino and the Centrino logo, Intel Core and Core Inside, are trademarks or registered trademarks of Intel Corporation or its subsidiaries in the United States and other countries. Windows, Windows Vista, the Windows logo and Microsoft are trademarks or registered trademarks of Microsoft Corporation in the United States and/or other countries. All other product and brand names may be trademarks or registered trademarks of their respective owners. Whilst information given is true at time of printing, small production changes in the course of our company's policy of improvement through research and design might not necessarily be included in the specifications. E&OE. Actual models may differ slightly in appearance to illustrations provided.

Optional Accessories for the VGC-LJ15G (availability depends on region)

VGP-BPS8

Lithium-ion Battery

- Identical to the supplied rechargeable battery
- Up to 2.5 hours of use¹²



VGP-UMS55

Silver(S), Black(B)

USB Laser Mouse

- Highly accurate laser sensor
- Innovative PTFE sole for precise operation
- Sensor resolution: 800 dots per inch



VGP-CG100

PC Cleaning Kit

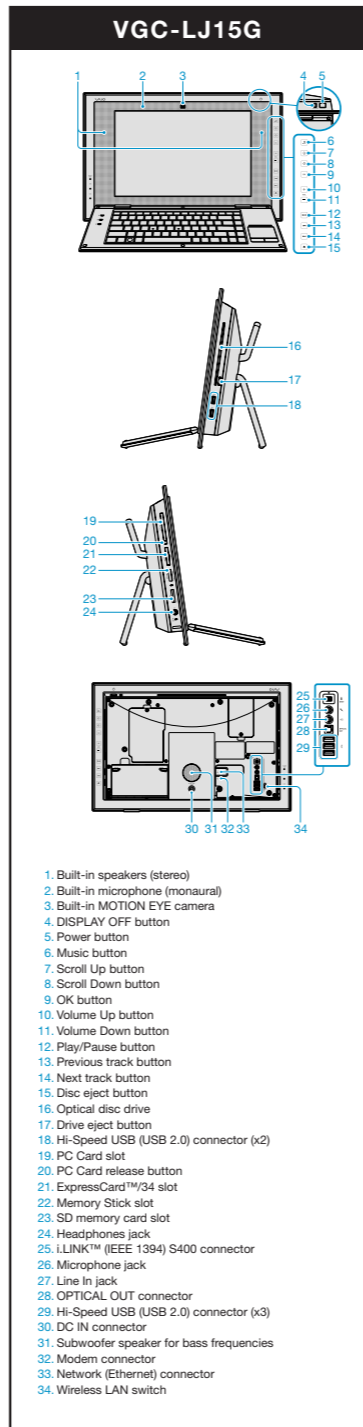
- PC/LCD cleaning with microfibre cloth
- Goat-fur brush for meticulous dusting of PC/keyboard
- Integrated case includes handbook



VGP-AC19V26

AC Adaptor

- Universal voltage compatible: AC100V-200V



- Built-in speakers (stereo)
- Built-in microphone (monaural)
- Built-in MOTION EYE camera
- DISPLAY OFF button
- Power button
- Music button
- Scroll Up button
- Scroll Down button
- OK button
- Volume Up button
- Volume Down button
- Play/Pause button
- Previous track button
- Next track button
- Disc eject button
- Optical disc drive
- Drive eject button
- Hi-Speed USB (USB 2.0) connector (x2)
- PC Card slot
- PC Card release button
- ExpressCard™/34 slot
- Memory Stick slot
- SD memory card slot
- Headphones jack
- i.LINK™ (IEEE 1394) S400 connector
- Microphone jack
- Line In jack
- OPTICAL OUT connector
- Hi-Speed USB (USB 2.0) connector (x3)
- DC IN connector
- Subwoofer speaker for bass frequencies
- Modem connector
- Network (Ethernet) connector
- Wireless LAN switch

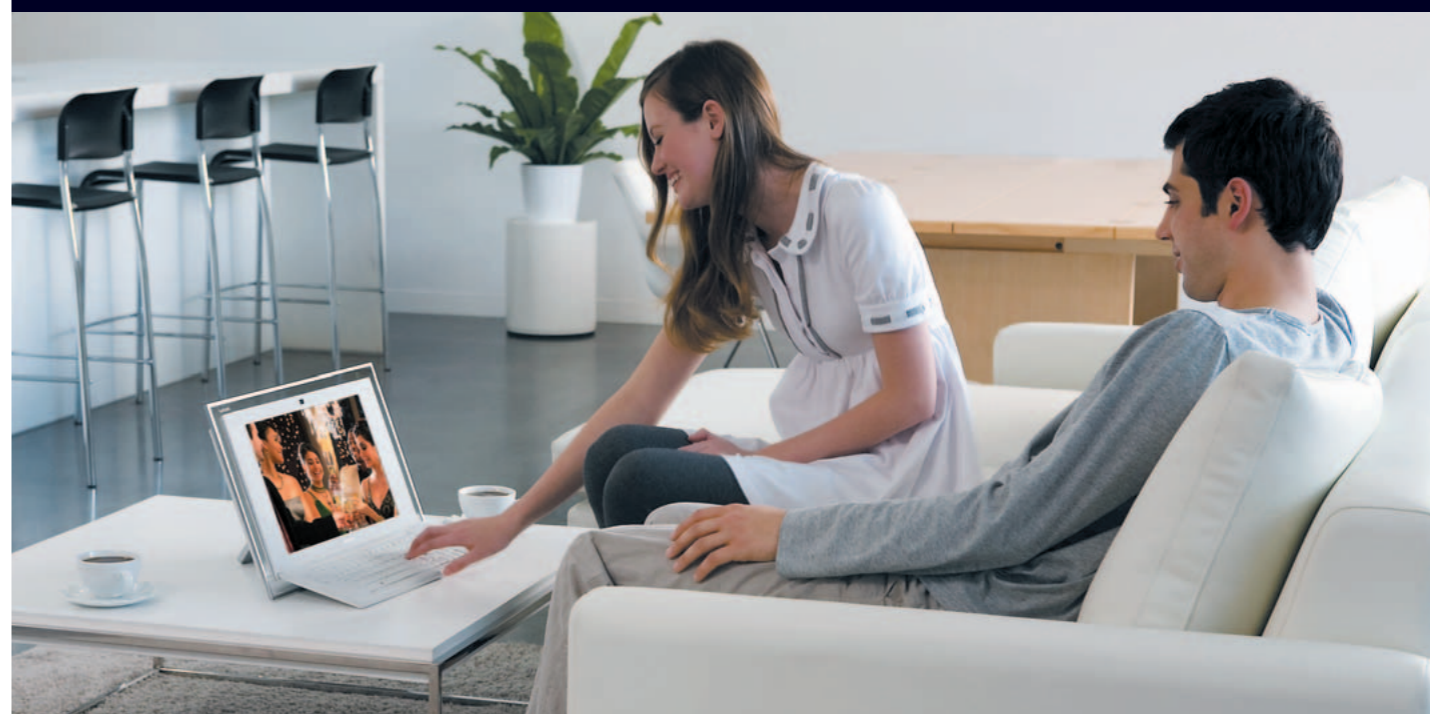
SONY



Intel® Centrino® Duo Processor Technology

VAIO LJ

VGC-LJ15G



All-in-one Panel PC design puts more style into your life.

vaio-online.sony.com



like.no.other



no more bounds

VGC-LJ15G

The stylish Panel PC that can accompany you to any room.

VAIO LJ features an all-in-one design that integrates the CPU, hard disk drive, LCD monitor and more, into a single slim-profile unit that looks great from any angle, with a stylish transparent panel frame that makes it easy to be integrated into just about any interior décor. Windows Vista® Home Premium operating system and latest Intel® Core™2 Duo Processor T7250 (2GHz) assure advanced functionality. And when not being used as a computer, it performs admirably as an audio player delivering music that matches the scene, anytime. Enjoy VAIO LJ wherever it's most convenient for you.

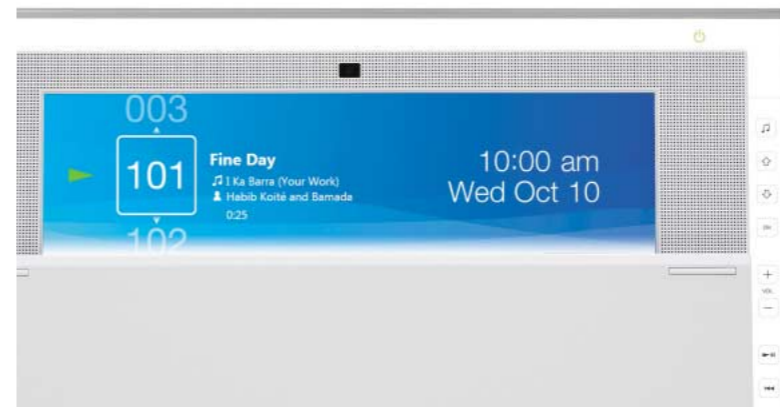


Windows Vista Home Premium

Sony recommends Windows Vista® Home Premium.

Unique Way to Enjoy Music

VAIO LJ puts the "fun" into "functionality". Just close the keyboard, and this automatically launches SoundFLOW to fill your room with music like a jukebox. SoundFLOW's Music Channel with 12-tone analysis automatically categorises your music into 23 different channels like "Good Morning", "Party" and "Meditation". And with Clear touch buttons on the transparent frame, all musical operations can be controlled without having to open the keyboard. 14 wallpaper designs are selectable for on-screen display along with song information and jacket photos. And regardless of the type of music, the exclusively developed built-in 5W subwoofer and 3W+3W satellite speaker system, together with Dolby® Home Theater technology and Sony's proprietary SoundReality chip, combine to deliver a superb sonic experience.



Freedom to Move

The all-in-one concept of the Panel PC contributes to ease of carrying to different locations in the house, and once you put it in its place, you'll find VAIO LJ is packed with functions that make it so easy to use and enjoy. Its 15.4" wide-screen display provides an excellent picture for your DVD viewing and various applications. Wireless LAN compatibility assures Internet access without being tied down to one spot. And built-in battery operation lets you roam far from the power socket on the wall. The freedom will move you.

+ Main features

Beautiful viewing: Clear Bright LCD Lite	Slim body: approx. 135mm depth*	Built-in rechargeable battery: Up to 2.5 hours	Easy to carry: Weight 5.3kg
Built-in 1.3 Megapixel Camera MOTION EYE	Exclusive music software: SoundFLOW	Powerful speakers: Satellite speakers (3W + 3W) & subwoofer (5W)	High quality sound: SoundReality Audio Chip, Dolby® Home Theater
Easy entertainment access: Clear touch buttons	5.1 ch system integration: S/PDIF terminal	Network freedom: Wireless LAN 802.11b/g	Content sharing: Memory Stick slot/ SD card slot

*at minimum tilt, keyboard closed

+ Basic specifications

Intel® Core™2 Duo Processor T7250 (2GHz)	Genuine Windows Vista® Home Premium	15.4" WXGA 1280 x 800 LCD	Mobile Intel® GraphicsMedia Accelerator X3100
DVD±RW/±R DL/RAM Drive	Memory 1GB	Hard Disk Drive 160GB	

Powerful software for creative minds.

VIDEO & PHOTOS

- VAIO Movie Story**
Automatically produce high-quality home movies with a professional feel after three simple steps.
- Click to DVD**
Create video and photo DVDs on DVD±RW/±R DL or DVD-RAM discs in one click, with 5.1 surround sound.
- VAIO Content Importer/Exporter**
Import and export a wide range of AV files simply and smoothly for playback and editing.
- Adobe® Premiere® Elements**
Enjoy advanced editing of videos, photos, and music with this renowned software.
- Adobe® Photoshop® Elements**
Add a personal touch to your prized still images and present them effectively to your friends.

Roxio Easy Media Creator / Win DVD for VAIO / Picasa™

MUSIC

- SoundFLOW**
Intelligent software that automatically plays music from your collection that fits your mood, activity or time of day.
- SonicStage Mastering Studio**
Convert analogue music to digitally enhanced audio* with high-quality effector modules.
- SonicStage Mastering Studio Audio Filter**
Enhance any audio content played on VAIO PCs and enjoy it with excellent headphone presets.

SUPPORT

VAIO Update
Alerting you to important changes via Internet that appear as reminder balloons on your desktop.**

Norton Internet Security™ 2007
Highly effective monitoring for viruses and spyware helps keep computing secure.***

VAIO Recovery Center / VAIO Data Restore Tool

Unified & Streamlined Style

It's not a desktop, nor is it a notebook – Panel PC takes the benefits of both and fits them neatly into a streamlined profile. Its shape, made possible through a unified design concept, makes VAIO LJ beautiful to look at from any angle, even from behind.



Transparent Frame

With aluminum railing for reinforcement, this transparent frame showcases the light and "airy" look of VAIO LJ's design.

Minimal Footprint

Built-in stand lets you adjust to the optimum viewing angle without taking up much room.

Retractable Keyboard

Complete with built-in touch pad, the retractable keyboard makes it easy to carry VAIO LJ.

Carrying Handle

Built-in carrying handle makes it easy to carry VAIO LJ from one room to another, without occupying both hands.

1.3 Megapixel Camera

This high quality camera is design-integrated into the bezel surrounding the screen, contributing to the sleek design of this unit.

* Roland EDIROL AUDIO capture UA-25**** or UA-101**** USB audio interface device required.
** Internet connection required for use.
*** Free use of 90 days. Further update will be charged.
**** Availability depends on region.

Note: Any copying or reproduction of copyrighted material may amount to copyright infringement. Song titles, names of artists and other information shown in the SonicStage screen capture are provided for illustrative purposes only.

